



8.0L 58x, Coil-Pack Ignition Base Engine Parts Catalog

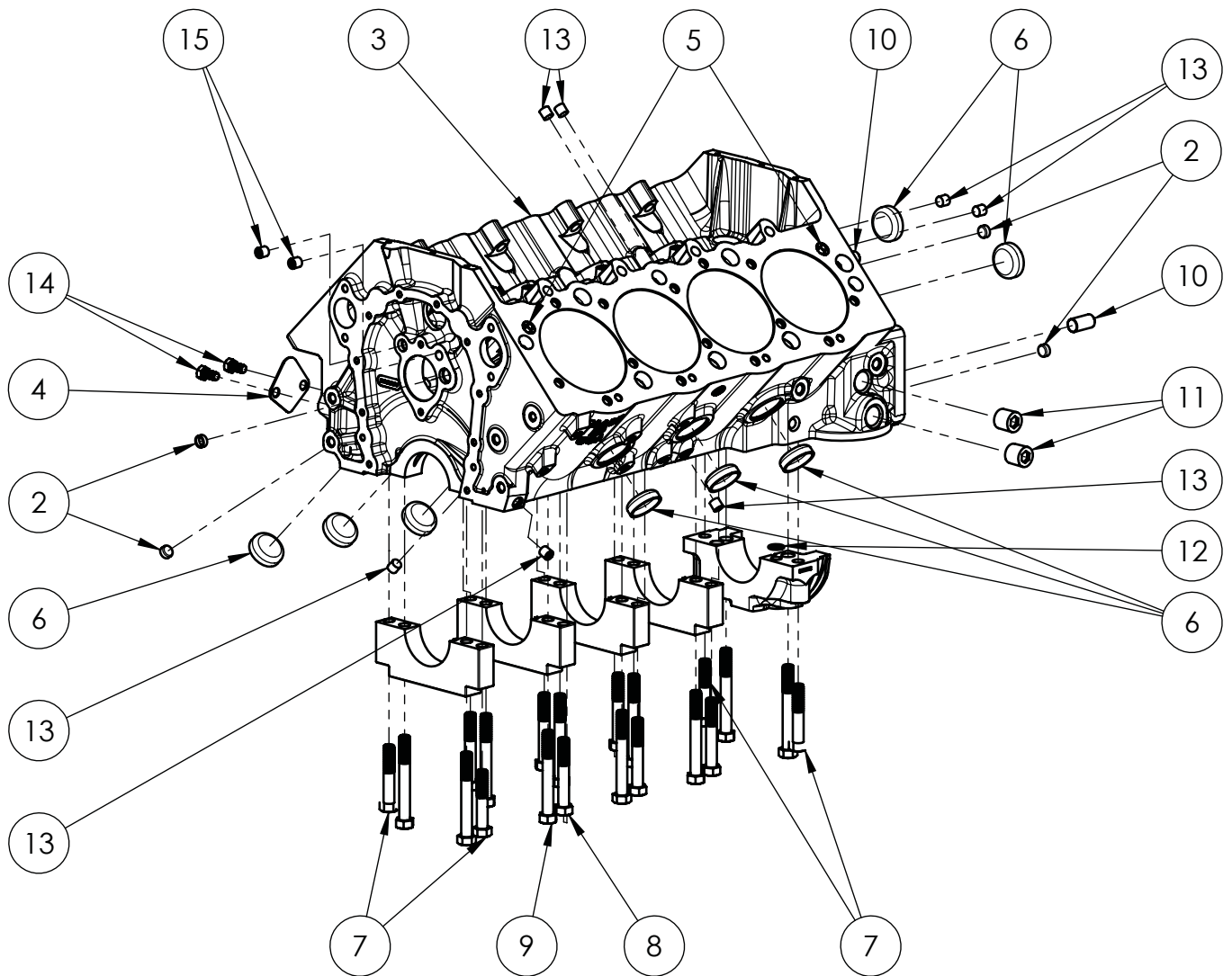
This parts catalog pertains to Reliable Horsepower's 8.0L GIP0180801 (IG80L58XCT) engine. Use it to order correct replacement parts for your engine. This catalog applies to engine with serial numbers greater than 304270. If your engine has an earlier serial number, contact IIS for assistance.

Make sure to give the complete serial number of your engine together with the part number, description, and quantity of the item you wish to order.

The information in this manual is current at the time of publication. Ongoing product improvements may, however, cause some part numbers to change. Always verify part numbers with IIS before ordering parts.

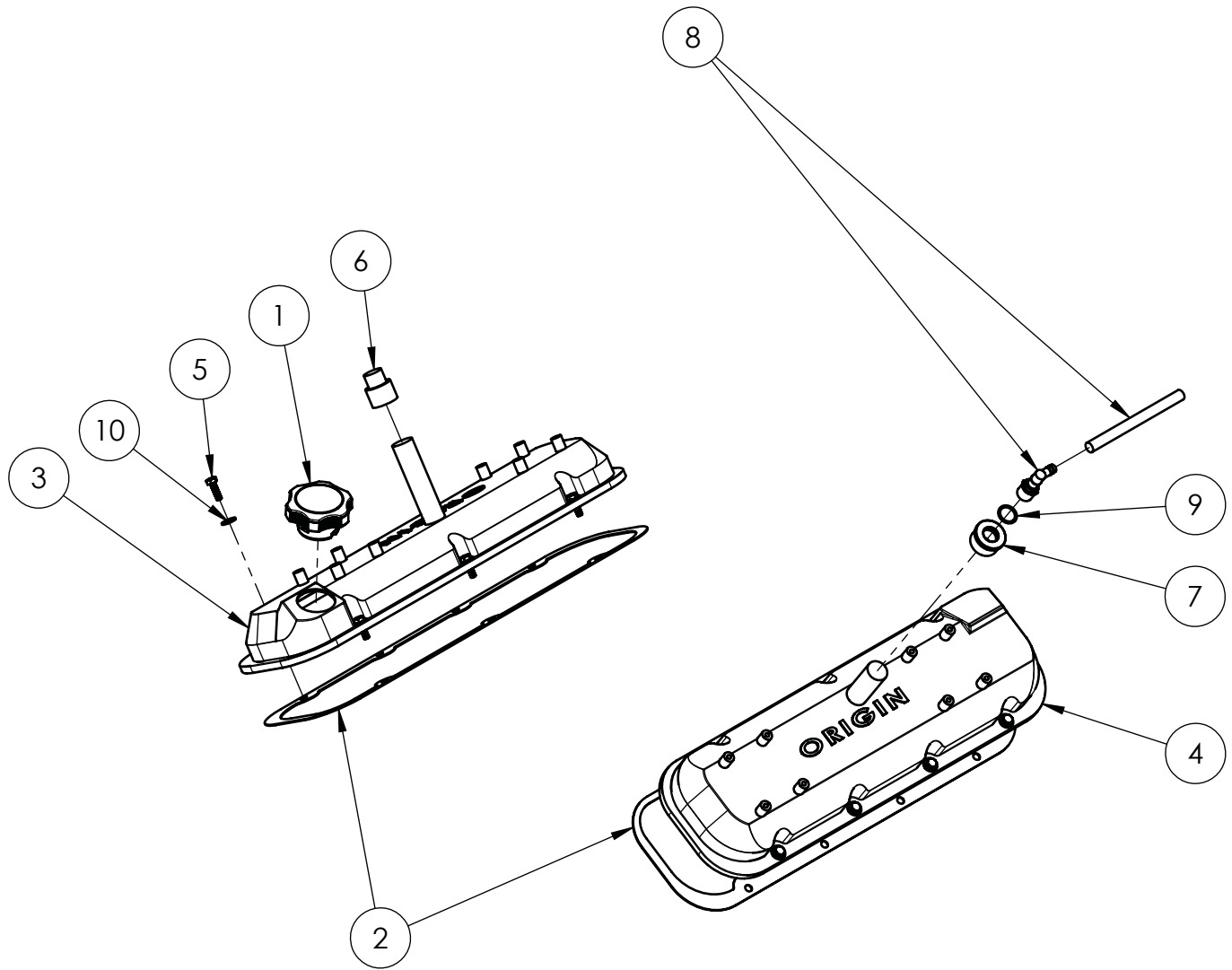
Some part assemblies may be delivered disassembled to assist shipping and installation.

Engine Serial Number _____



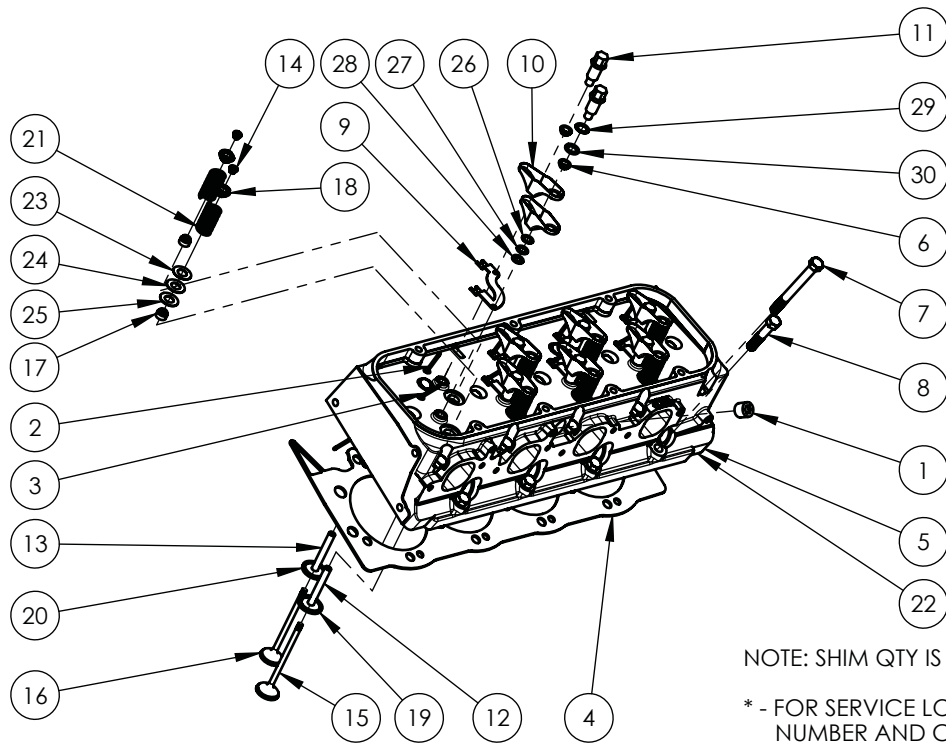
ITEM NO.	PART NUMBER	DESCRIPTION	QTY.
1	10110001	OILER JET (NOT SHOWN)	8
2	18211355	3/8 PIPE PLUG	4
3	18111755	ENGINE BLOCK 8.0L	1
4	18111035	FUEL PUMP BLOCK OFF PLATE	1
5	18111053	HEAD DOWEL PIN	4
6	18111062	FREEZE PLUG, 1-5/8"	8
7	18111089	MAIN BOLTS 1/2-13 X 2.75	4
8	18111090	MAIN BOLTS 1/2-13 X 3.25	6
9	18111091	MAIN BOLTS 1/2-13 X 4.00	10
10	18111093	BELLOUSING DOWELS	2
11	18111145	OIL COOLER PORT PLUGS - 3/4" PIPE PLUG	2
12	18131175	REAR MAIN CAP O-RING - 9/16" X 3/4"	1
13	18211021	PIPE PLUG, 1/4" NPT	7
14	18211225	FUEL PUMP BLOCK OFF PLATE BOLTS 3/8-16 x .75	2
15	18211335	PIPE PLUG, 1/4" NPT DRILLED TO .031	2

BLOCK



ITEM NO.	PART NUMBER	DESCRIPTION	QTY.
1	18131148	ORIGIN OIL CAP	1
2	18131160	VALVE COVER GASKET	2
3	18131210	VALVE COVER, PASSENGER/OIL FILL SIDE	1
4	18131215	VALVE COVER, DRIVERS SIDE	1
5	18211017	BOLT HEX FLANGE 1/4-20 X .88	14
6	18131152	FRESH AIR VALVE COVER TUBE INSERT	1
7	18131280	BREATHER TUBE PLUG PCV	1
8	18131305	ASSEMBLY PCV VALVE AND HOSE BPE	1
9	18131290	O-RING .75ID X .94OD	1
10	18211011	WASHER FLAT 6MM	14

VALVE COVERS

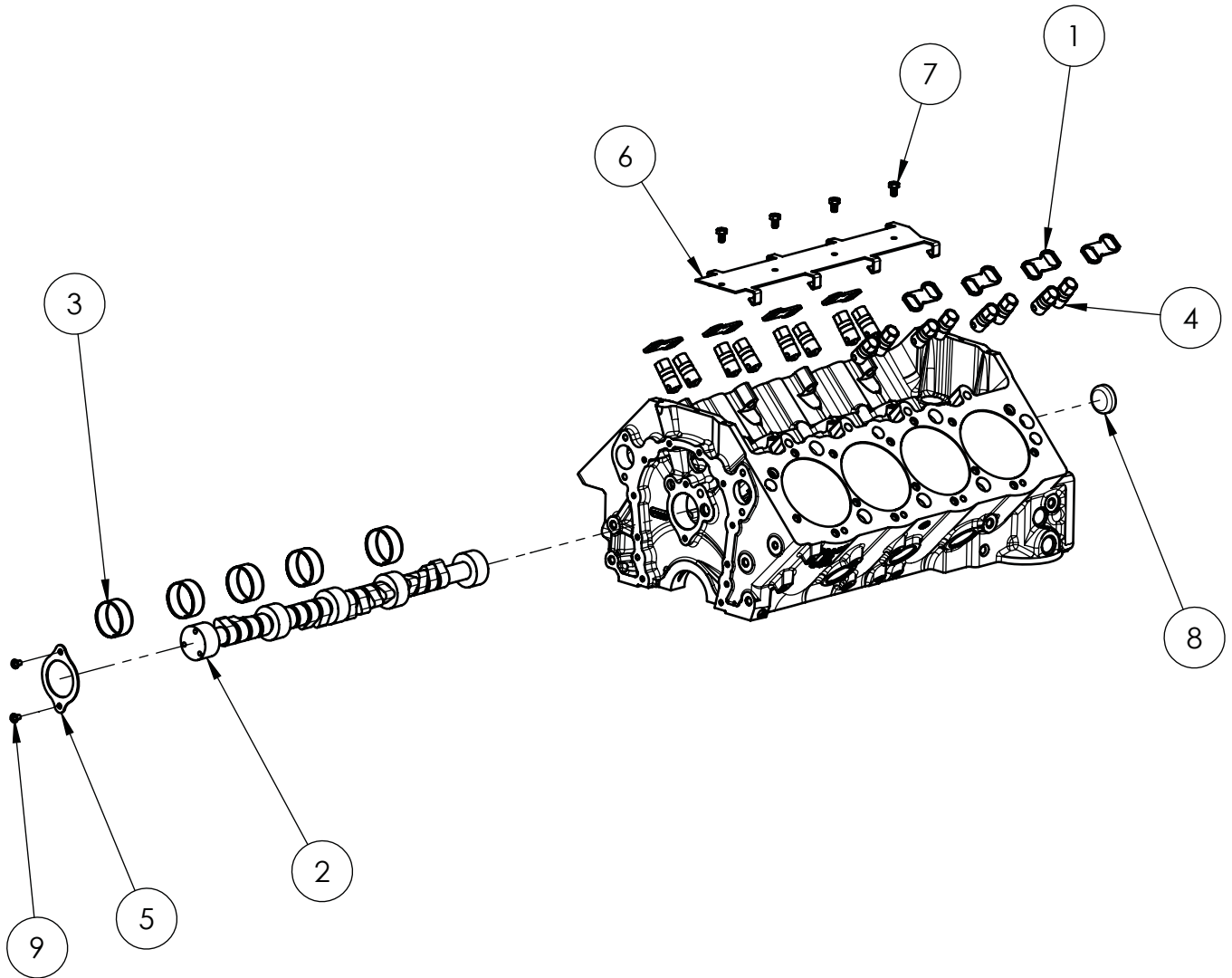


NOTE: SHIM QTY IS AS REQUIRED (AR)

* - FOR SERVICE LOCATE ENGINE SERIAL NUMBER AND CONTACT DISTRIBUTOR.

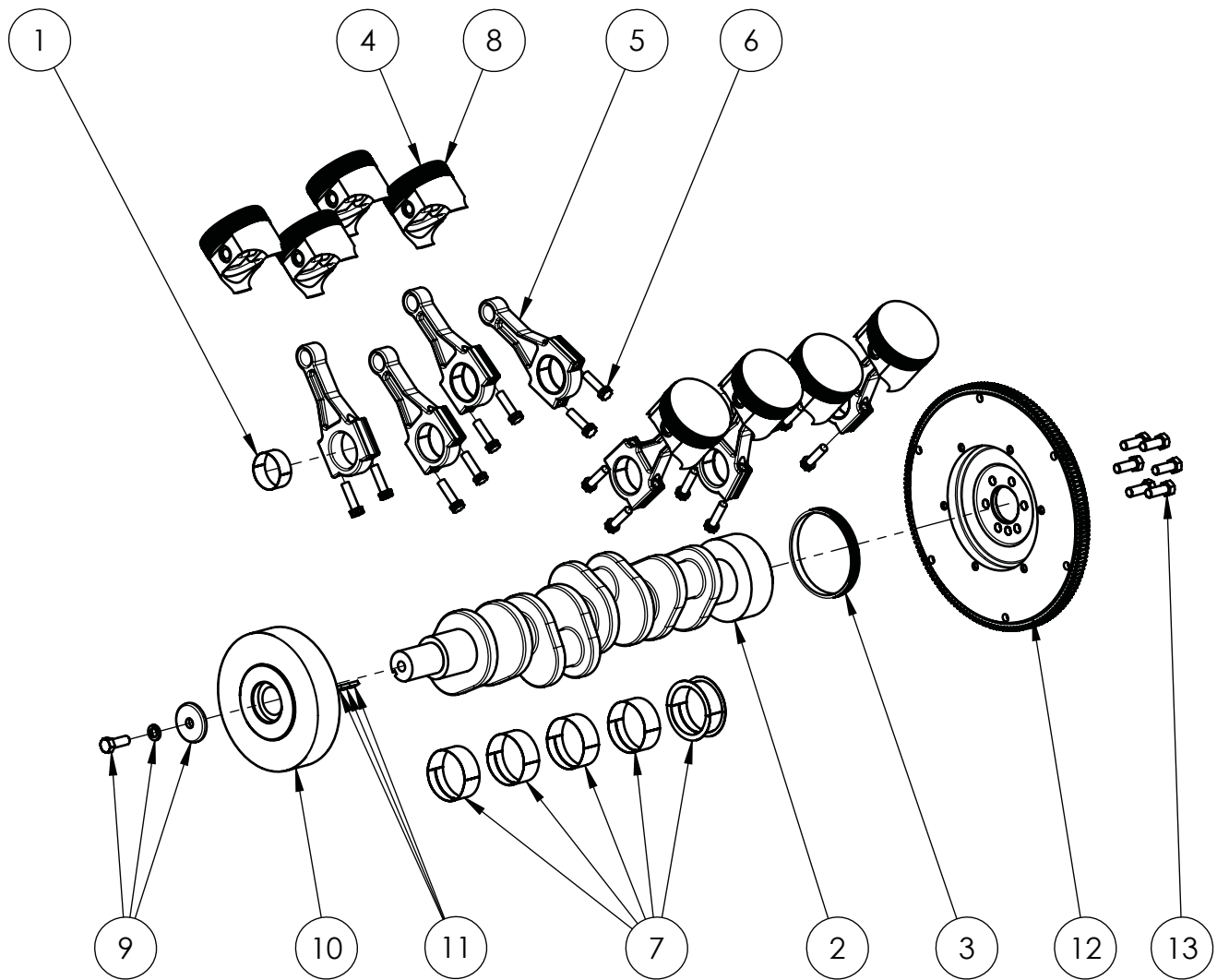
ITEM NO.	PART NUMBER	DESCRIPTION	QTY.
1	18211245	PIPE PLUG 1/2"	1
2	18111055	PUSHROD, INTAKE	4
3	18111056	PUSHROD, EXHAUST	4
4	18271055	* HEAD GASKET 8.0L & 9.1L	1
5	OEH002	* CYLINDER HEAD ASSEMBLY 8.0, 9.1, & 10.3L	1
6	18131111	ROCKER BALLS	8
7	18131114	HEAD BOLTS	12
8	18131115	HEAD BOLTS	4
9	18131117	PUSH ROD GUIDE PLATE	4
10	18131121	ROCKER ARM	8
11	18131122	ROCKER BOLTS	8
12	18131124	VALVE GUIDE, EXHAUST	4
13	18131125	VALVE GUIDE, INTAKE	4
14	18131126	VALVE KEEPER	16
15	18131129	EXHAUST VALVE	4
16	18131132	INTAKE VALVE	4
17	18131136	VALVE STEM OILSEALS	8
18	18131137	VALVE ROTATOR	8
19	18131144	VALVE SEAT, EXHAUST	4
20	18131153	VALVE SEAT, INTAKE	4
21	18131157	VALVE SPRING	8
22	18131146	CYLINDER HEAD BARE	1
23	10211050	SHIM VALVE SPRING .015"	AR
24	10211055	SHIM VALVE SPRING .030"	AR
25	10211060	SHIM VALVE SPRING .060"	AR
26	10211015	SHIM ROCKER .020"	AR
27	10211025	SHIM ROCKER .031"	AR
28	10211040	SHIM ROCKER .047"	AR
29	10211020	SHIM ROCKER .020"	AR
30	10211045	SHIM ROCKER .062"	AR

HEAD AND VALVES



ITEM NO.	PART NUMBER	DESCRIPTION	QTY.
1	10230003	LIFTER GUIDE	8
2	18111026	CAMSHAFT 8.0L & 9.1L (58X IGNITION)	1
3	18111037	CAMSHAFT BEARING SET	1
4	18111058	ROLLER LIFTER	16
5	18111111	CAMSHAFT RETAINER	1
6	18111112	LIFTER RETAINER	1
7	18211042	BOLT HEX FLANGE HEAD 5/16-18 X .50	4
8	18111094	BLOCK CAM PLUG - 29/32" SOFT PLUG	1
9	18211028	SCREW BUTTON HEAD 1/4-20 X .38	2

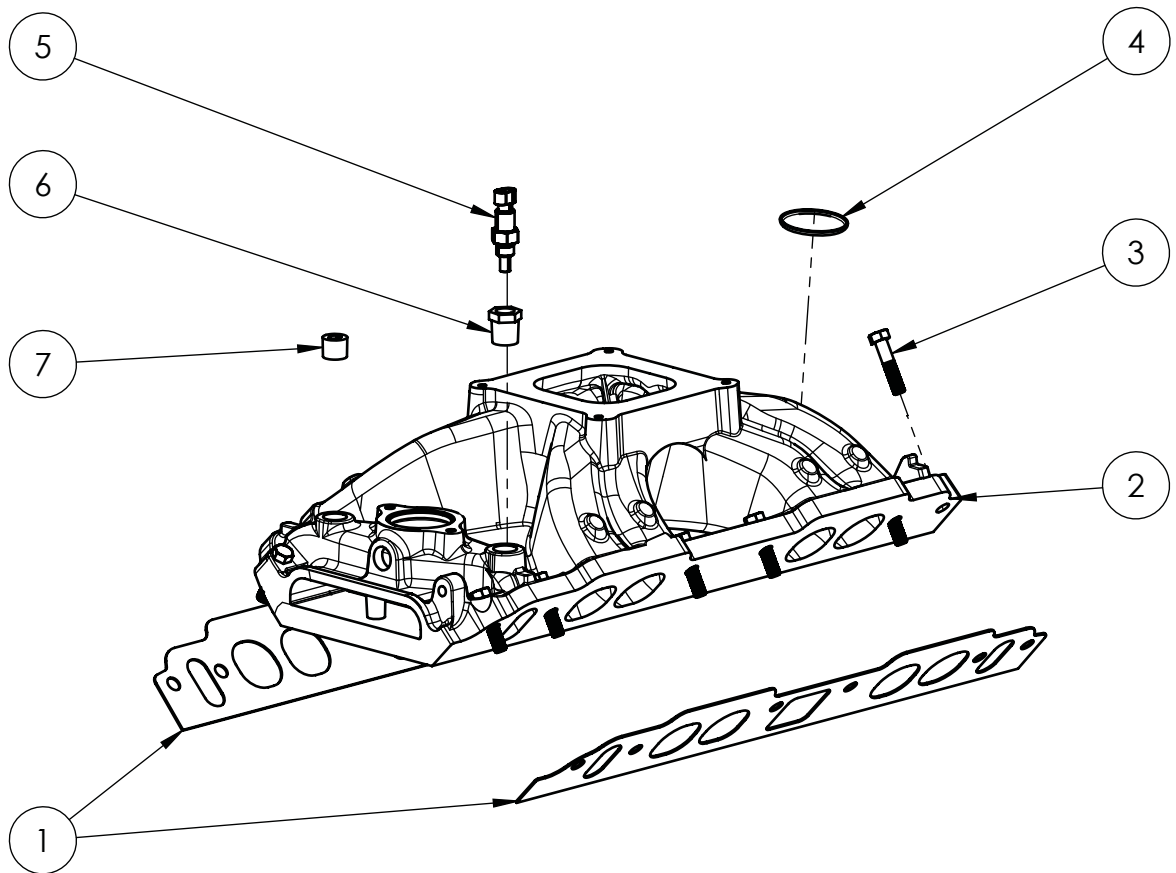
CAMSHAFT AND LIFTERS



* - FOR SERVICE LOCATE ENGINE SERIAL NUMBER AND CONTACT DISTRIBUTOR.

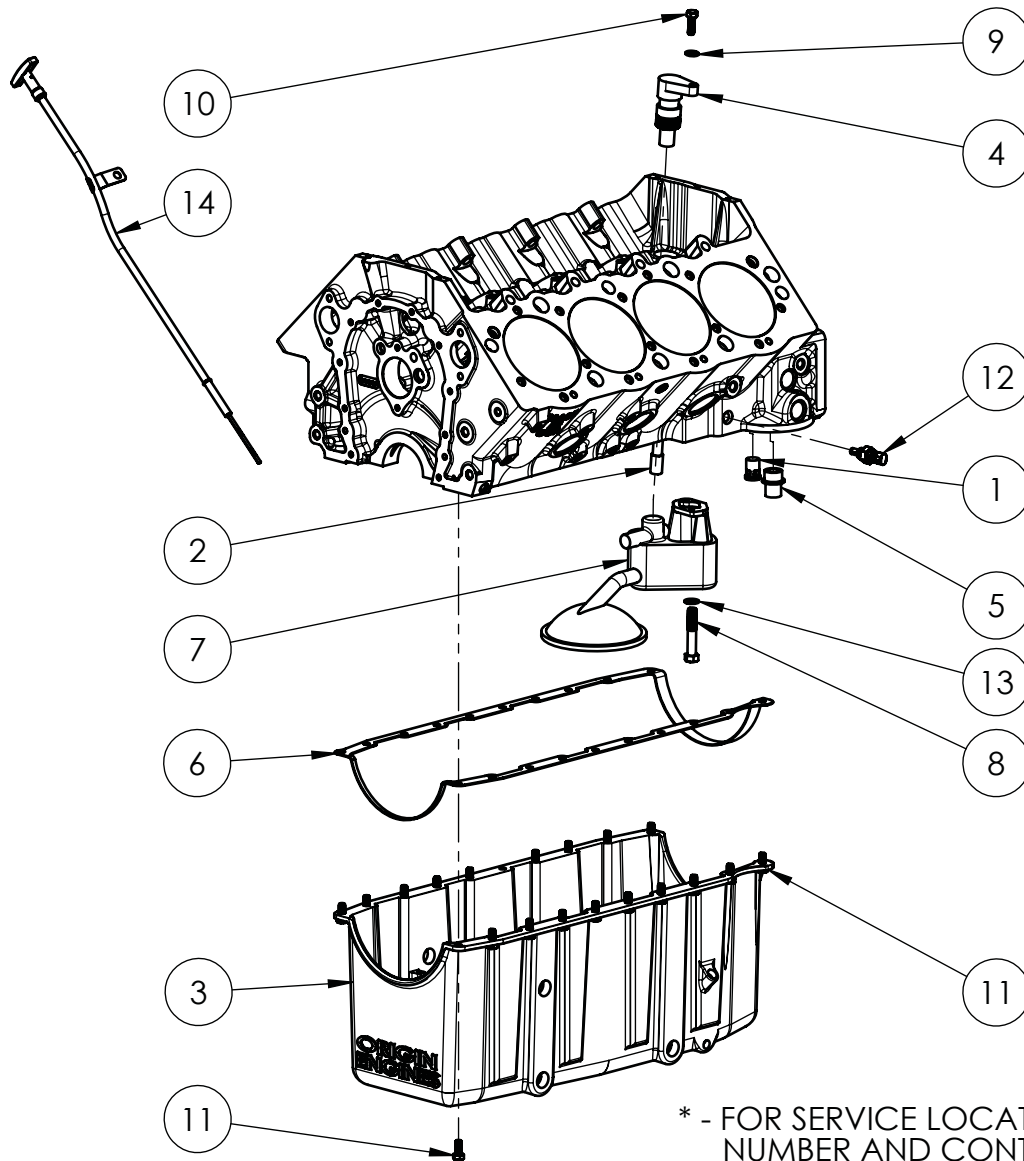
ITEM NO.	PART NUMBER	DESCRIPTION	QTY.
1	18111025	BEARING, CONNECTING ROD, 1 UPPER (U), 1 LOWER (L)	8
2	18111034	CRANKSHAFT 8.0L	1
3	18111042	REAR MAIN SEAL	1
4	18111061	PISTON ASSEMBLY 8.0L (PISTON, PIN AND RINGS)	8
5	18111040	* CONNECTING ROD	8
6	18111139	CONNECTING ROD BOLT	16
7	18111045	MAIN BEARING, SET OF 5 W/THRUST	1
8	10211120	PISTON RINGS, SET OF 8, 8.0L	1
9	18111017	HARMONIC BALANCER BOLT KIT	1
10	18111360	HARMONIC BALANCER (NON-WEIGHTED) 58X IGNITION	1
11	18111054	CRANK KEY	3
12	18111039	FLYWHEEL NON-WEIGHTED 8.0L	1
13	18111018	FLYWHEEL BOLTS	6

CRANK AND PISTONS



ITEM NO.	PART NUMBER	DESCRIPTION	QTY.
1	10271010	INTAKE MANIFOLD GASKET	2
2	18111046	INTAKE MANIFOLD	1
3	10211670	BOLT, HEX FLANGE, 3/8-16 X 1.50	12
4	18211255	DISTRIBUTOR HOLE PLUG - 2 1/8 SOFT PLUG	1
5	18151022	COOLANT TEMP SENSOR	1
6	18211250	REDUCER, 1/2"NPT TO 3/8" NPT	1
7	18211245	PIPE PLUG 1/2"	1

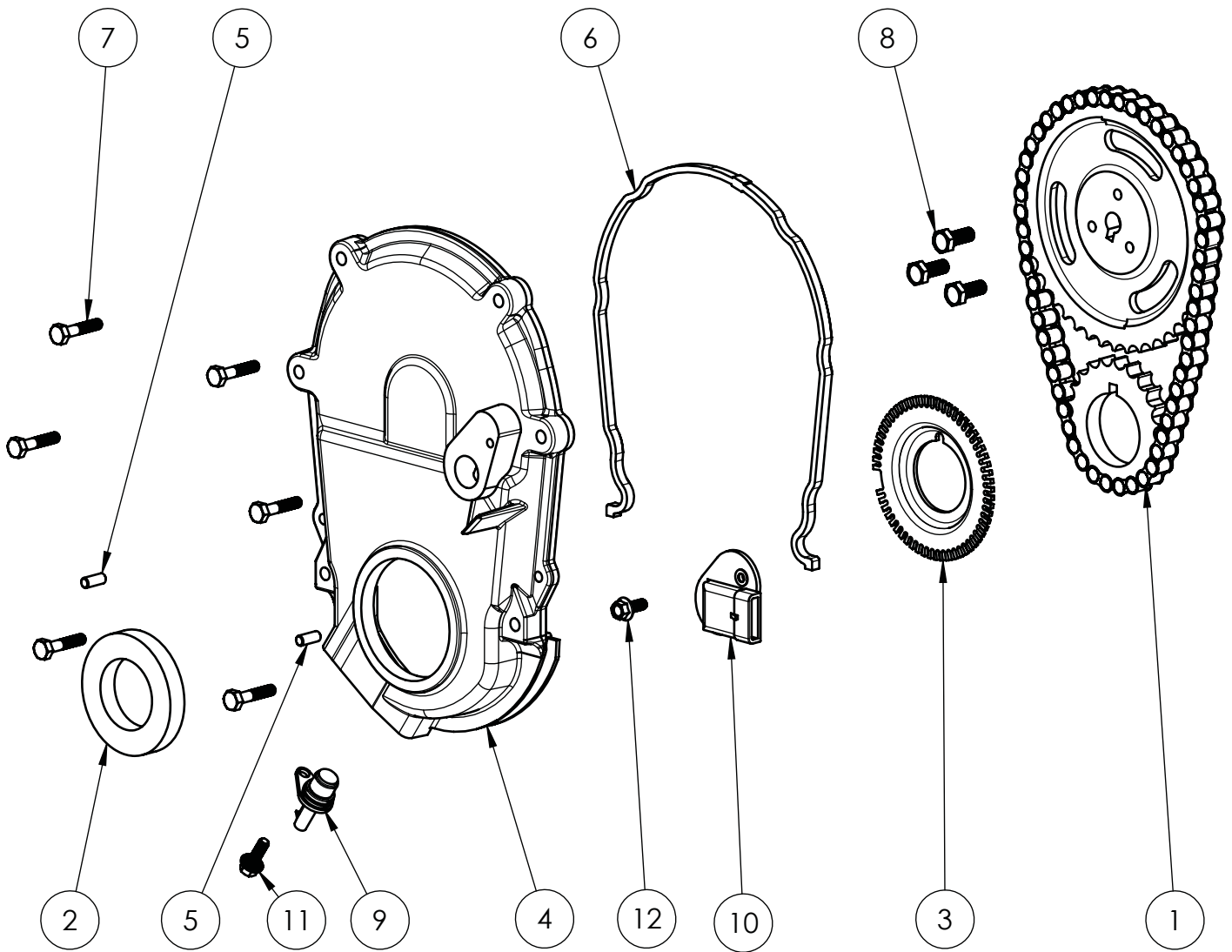
INTAKE MANIFOLD



* - FOR SERVICE LOCATE ENGINE SERIAL NUMBER AND CONTACT DISTRIBUTOR.

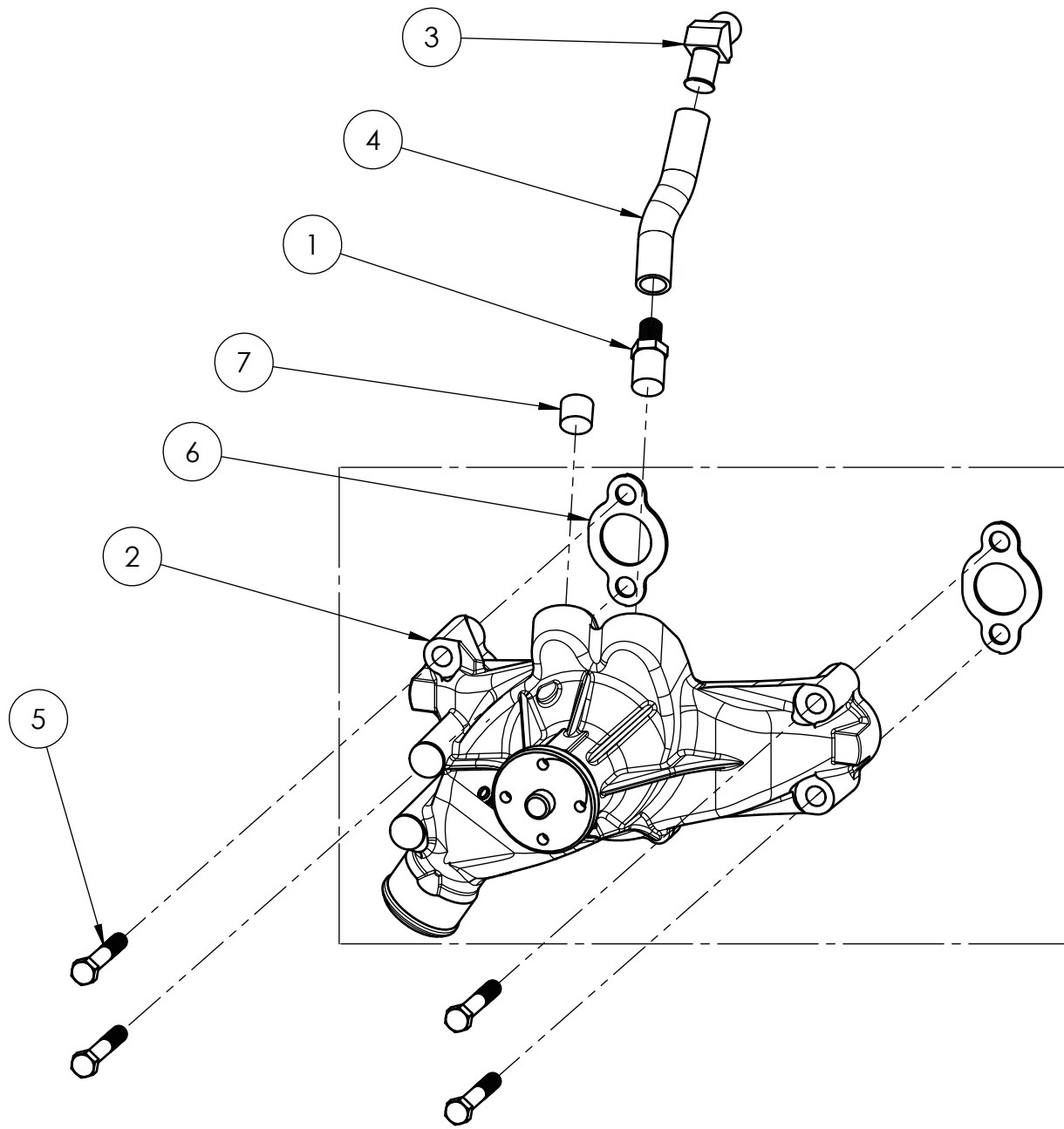
ITEM NO.	PART NUMBER	DESCRIPTION	QTY.
1	18111790	OIL BYPASS	1
2	18111041	INTERMEDIATE SHAFT	1
3	18111044	* OIL PAN	1
4	18111047	OIL PUMP DRIVE ASSEMBLY	1
5	18111049	OIL FILTER ADAPTER	1
6	18111051	OIL PAN GASKET 8.0L	1
7	18111133	OIL PUMP ASSEMBLY	1
8	18211013	BOLT HEX HEAD 7/16-14 X 2.50	1
9	18211019	WASHER, 5/16	1
10	18211026	BOLT HEX HEAD 5/16-18 X 1.00	1
11	18211046	BOLT HEX FLANGE 5/16-18 X .75	20
12	18151021	OIL PRESSURE SENSOR	1
13	18211360	WASHER FLAT 7/16	1
14	10211100	* DIPSTICK & TUBE ASSEMBLY; ORIGIN BBC	1

LUBRICATION SYSTEM



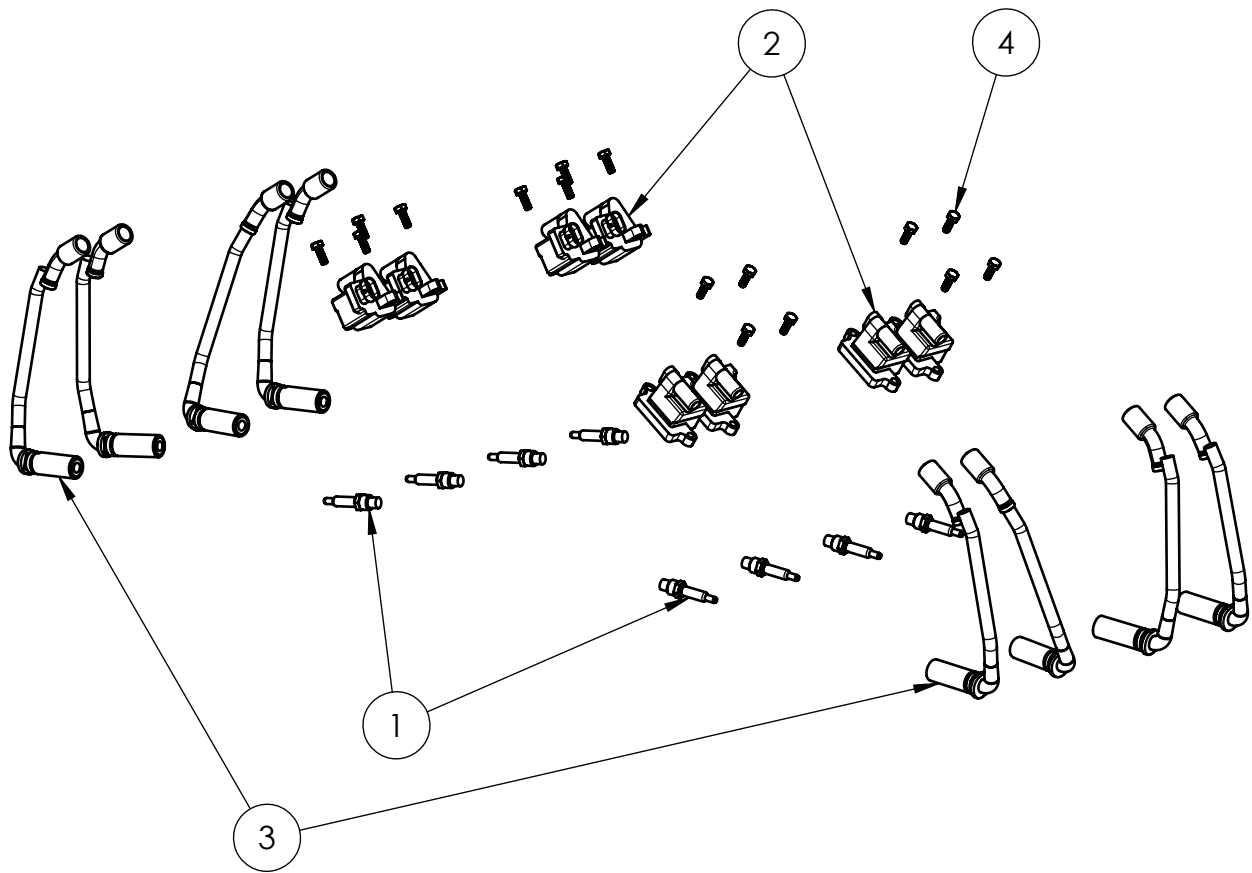
ITEM NO.	PART NUMBER	DESCRIPTION	QTY.
1	18111027	TIMING SET COIL PACK IGNITION	1
2	18111016	TIMING COVER SEAL	1
3	18111030	58X RELUCTOR RING	1
4	18111033	TIMING COVER	1
5	18111052	TIMING COVER DOWEL 1/4" X 5/8"	2
6	18111085	TIMING COVER GASKET	1
7	18211020	BOLT HEX FLANGE 1/4-20 X 1.25 GRADE 8	6
8	18211285	BOLT HEX HEAD M8-1.25 X 20	3
9	18151015	CRANK POSITION SENSOR	1
10	18151014	CAM SENSOR	1
11	18211016	SCREW SERR FLANGE HEAD 1/4-20 X .75 GR5	1
12	18211015	BOLT HEX HEAD WHZ 1/4-20 X .50	1

TIMING GEAR AND COVER



ITEM NO.	PART NUMBER	DESCRIPTION	QTY.
1	18111013	BARB FITTING 5/8	1
2	18111048	WATER PUMP (W/GASKETS)	1
3	18111063	5/8 45° BARB FITTING	1
4	18190001	HEATER HOSE, 5" LONG	1
5	18211023	FLANGE BOLT 3/8-16 X 2.25	4
6	18271075	WATER PUMP GASKET	2
7	18211245	PIPE PLUG 1/2"	1

WATER PUMP



ITEM NO.	PART NUMBER	DESCRIPTION	QTY.
1	18151012	SPARK PLUG	8
2	18151018	COIL PACK	8
3	18151019	SPARK PLUG WIRE	8
4	18211016	BOLT HEX HEAD 1/4-20 X .75 FULL THREAD ZINC PLATED	16
5	18151055	IGNITION COIL WIRE HARNESS (NOT SHOWN)	2

IGNITION SYSTEM