



6.2L Base Engine Parts Catalog

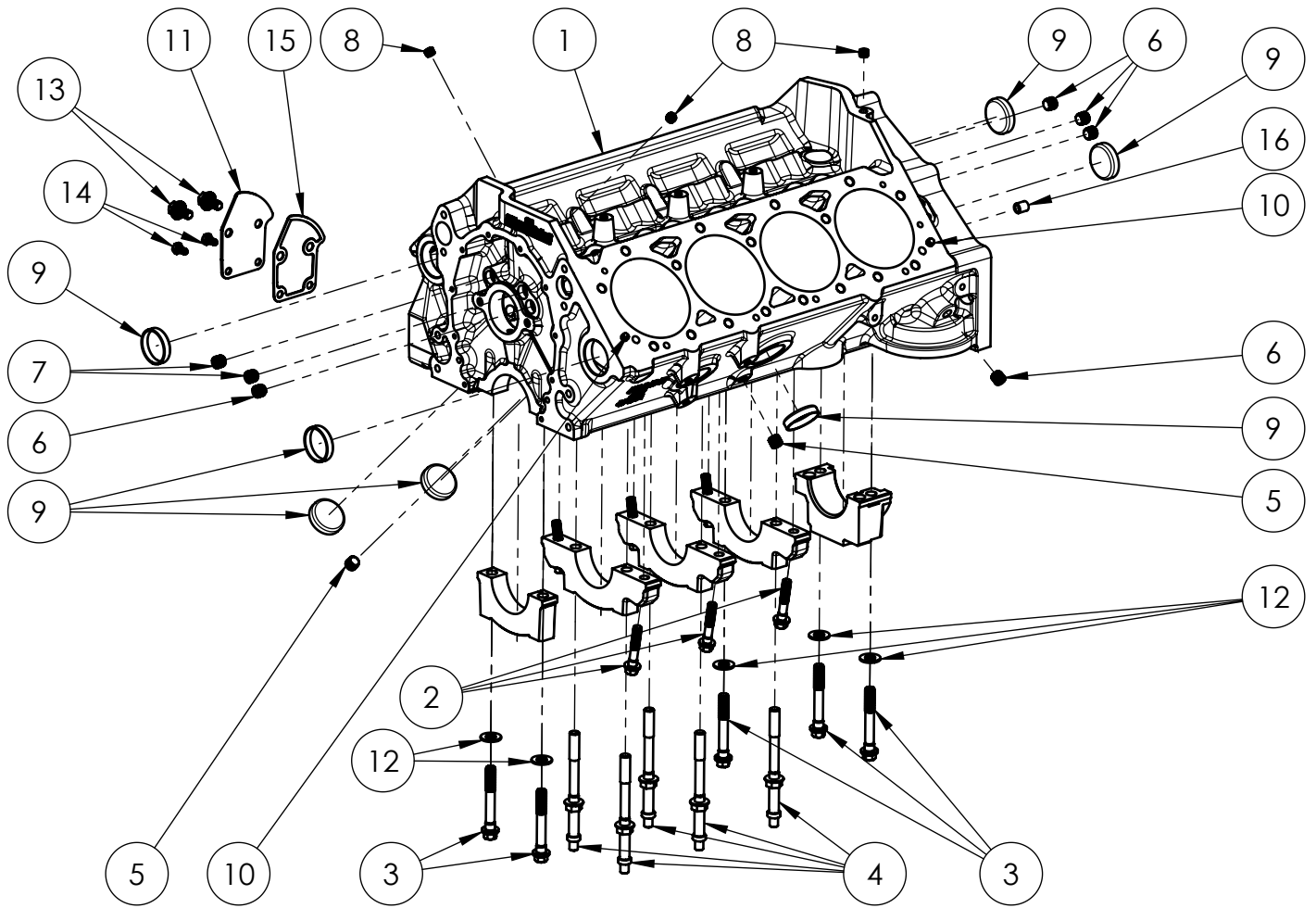
This parts catalog pertains to Reliable Horsepower's 6.2L GIP018062 (OE621LCT) engine. Use it to order correct replacement parts for your engine.

Make sure to give the complete serial number of your engine together with the part number, description, and quantity of the item you wish to order.

The information in this manual is current at the time of publication. Ongoing product improvements may, however, cause some part numbers to change. Always verify part numbers with IIS before ordering parts.

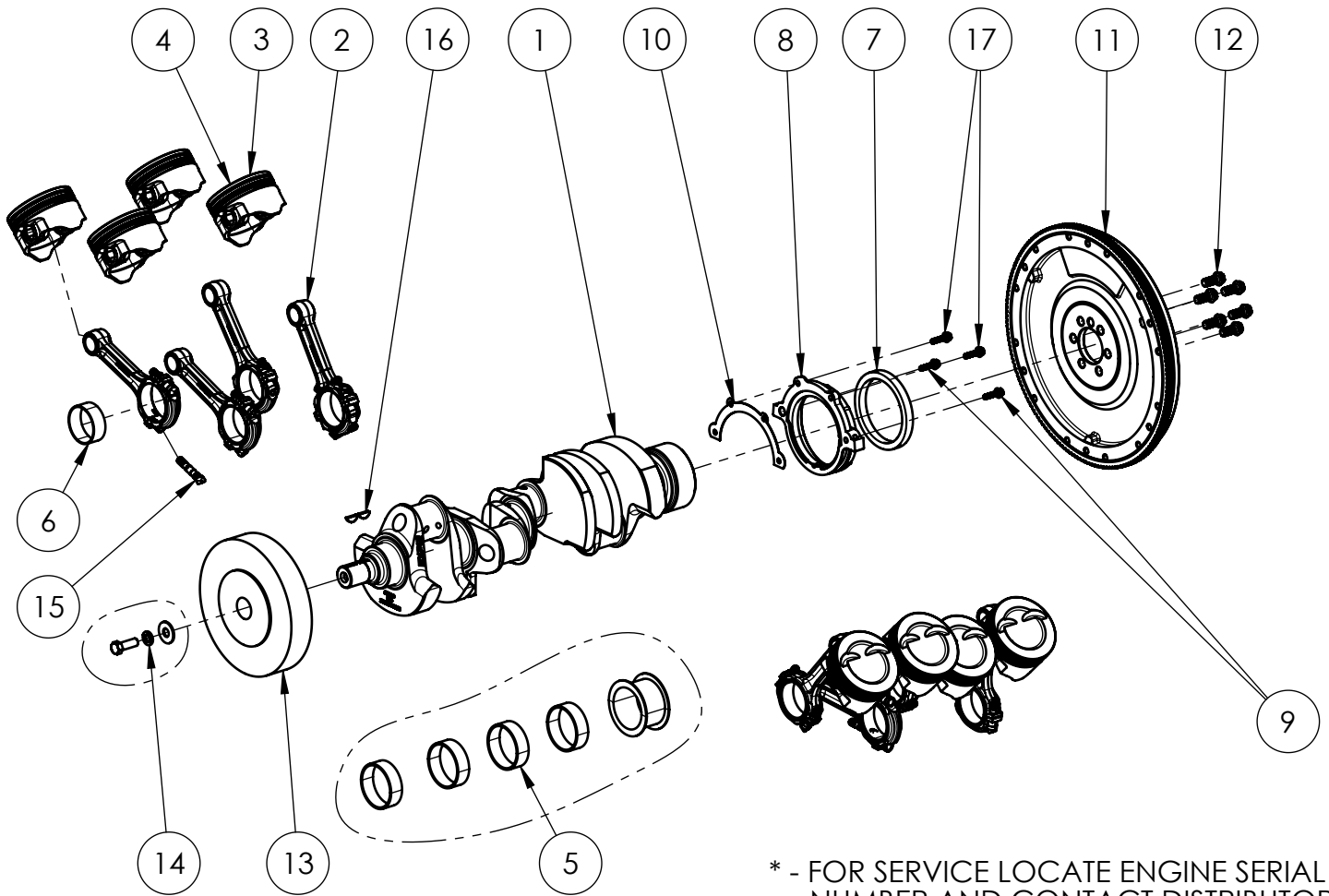
Some part assemblies may be delivered disassembled to assist shipping and installation.

Engine Serial Number _____



ITEM NO.	PART NUMBER	DESCRIPTION	QTY.
1	18111995	BLOCK; SB, 1-PC	1
2	18111820	BOLT; HFH, 3/8-16 X 2.00, MAIN CAP	6
3	18111810	BOLT; HFH, 7/16-14 X 3.00, MAIN CAP	5
4	18211295	STUD; WINDAGE TRAY	5
5	18211025	PIPE PLUG; 1/4 NPT, BRASS	2
6	18211021	PIPE PLUG; 1/4 NPT, STEEL	5
7	18211330	PIPE PLUG; 1/4 NPT, STEEL, DRILLED TO .026"	2
8	18211027	PIPE PLUG; 1/8 NPT, STEEL	3
9	18111062	EXPANSION PLUG; 1 5/8"	7
10	18211400	DOWEL PIN; CYLINDER HEAD	4
11	18291035	PLATE; FUEL PUMP	1
12	10211010	WASHER; 7/16, BLACK OXIDE, HARDENED	6
13	18211225	BOLT; HFH, 3/8-16 X .75, WHZ	2
14	18211495	BOLT; HH 1/4-20 X .50 GR 8	2
15	18271065	GASKET; FUEL PUMP PLATE	1
16	18291090	DOWEL; REAR SEAL HOUSING	1

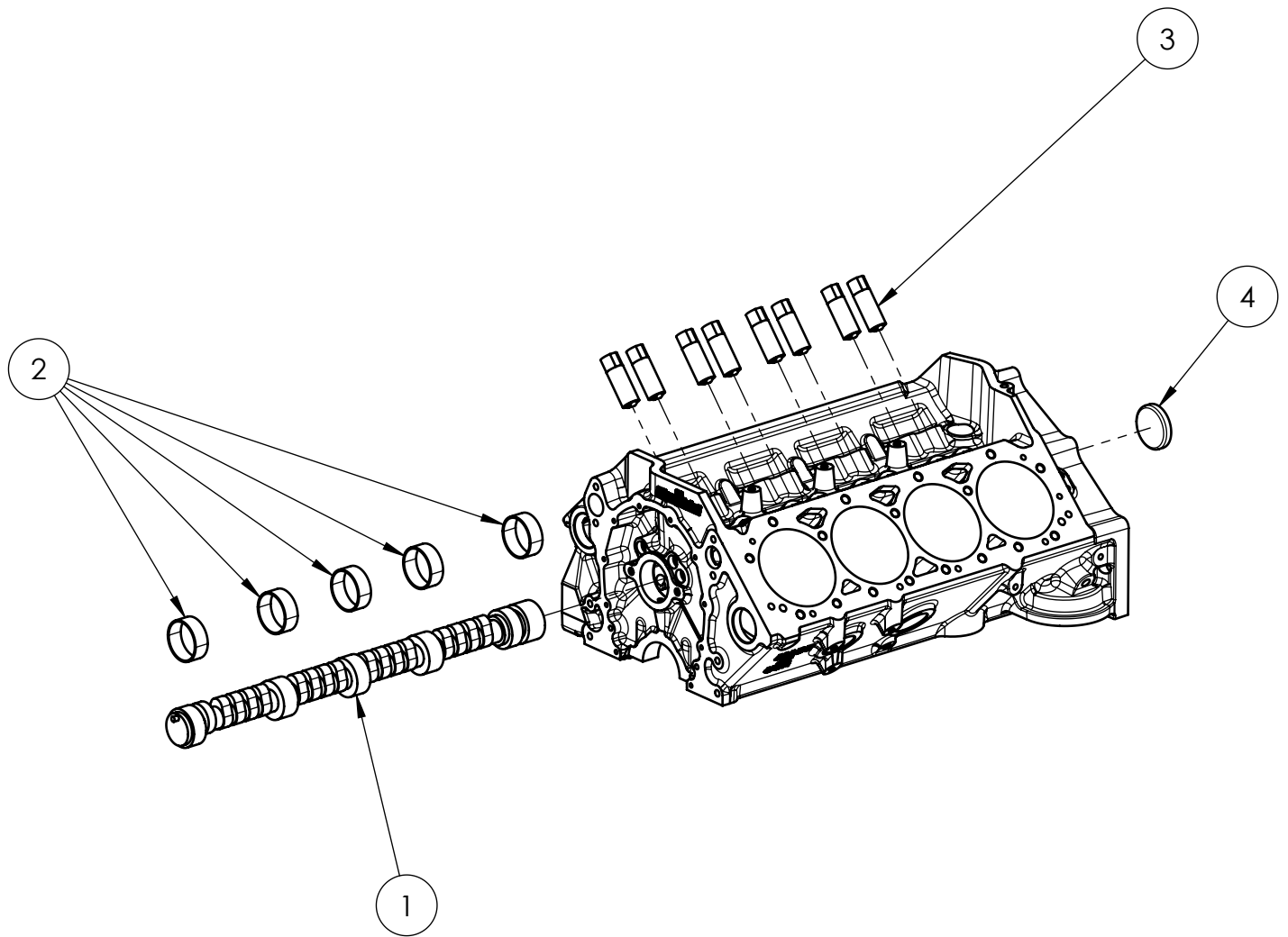
BLOCK



* - FOR SERVICE LOCATE ENGINE SERIAL NUMBER AND CONTACT DISTRIBUTOR.

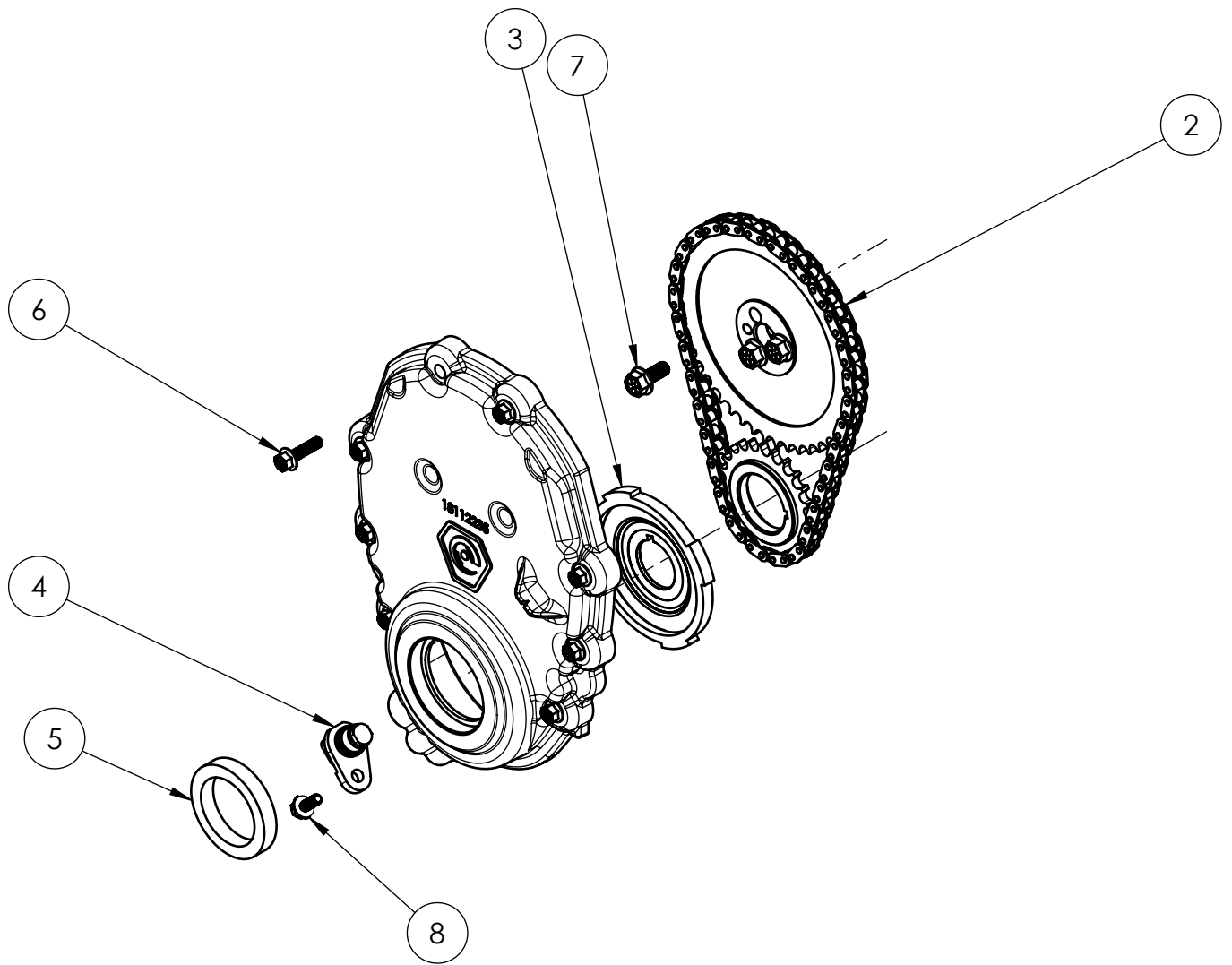
ITEM NO.	PART NUMBER	DESCRIPTION	QTY.
1	10111090	CRANKSHAFT	1
2	18111440	CONNECTING ROD	8
3	18231050	PISTON	8
4	18231040	RING SET; PISTON, 6.2L (SET OF 8)	1
5	18112180	MAIN BEARINGS	1
6	18111610	ROD BEARING	1
7	18271085	SEAL; REAR	1
8	12111015	REAR SEAL HOUSING	1
9	18211020	BOLT; HFH 1/4-20 X 1.25, GR 8	2
10	18271095	GASKET; REAR SEAL HOUSING	1
11	18131163	FLYWHEEL	1
12	18111018	BOLT; HWH 7/16-20 UNF X 1.00, FLYWHEEL	6
13	18111890	HARMONIC BALANCER	1
14	18211370	BOLT KIT; HARMONIC BALANCER	1
15	18111785	BOLT; CONNECTING ROD, 3/8-24	16
16	18111054	CRANK KEY; .750 X .188	2
17	18211470	BOLT; HFH, 1/4-20 X 1.00	2

CRANK AND PISTONS



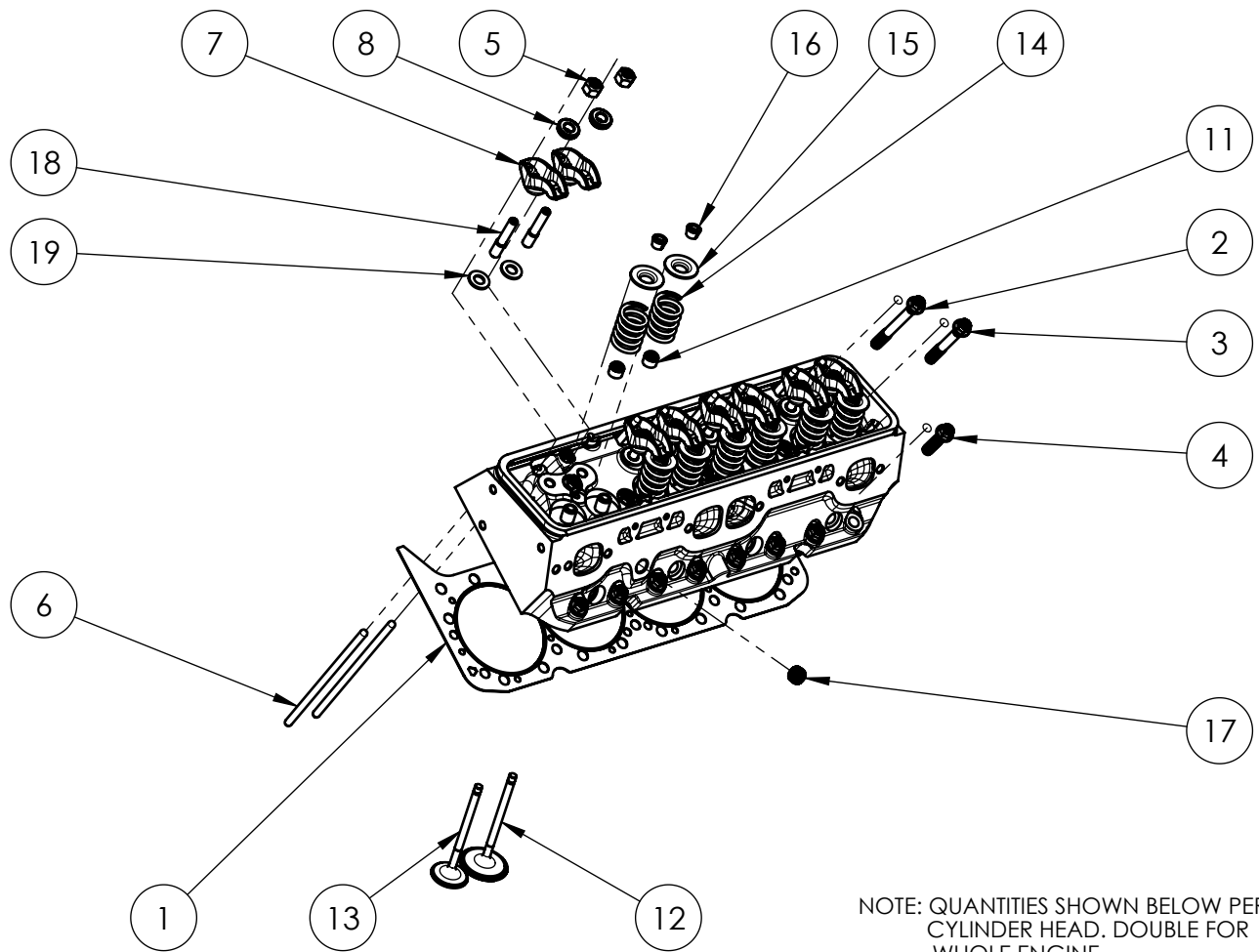
ITEM NO.	PART NUMBER	DESCRIPTION	QTY.
1	18111615	CAMSHAFT	1
2	18111365	CAM BEARING	5
3	MEISBVL037	LIFTER	16
4	18111940	PLUG; EXPANSION, 2.11"	1

CAMSHAFT AND LIFTERS



ITEM NO.	PART NUMBER	DESCRIPTION	QTY.
1	18112235	TIMING COVER WITH CRANK SENSOR	1
2	18231070	TIMING SET	1
3	18111127	RELUCTOR WHEEL; 4X	1
4	18151130	CRANK SENSOR	1
5	12271140	FRONT SEAL	1
6	18211020	BOLT; HFH 1/4-20 X 1.25, GR 8	8
7	18211046	BOLT; HFH 5/16-18 X .75	3
8	N.A.	BOLT; HFH, M6-1.0 X 16MM (INCLUDED WITH SENSOR)	1

TIMING GEAR AND COVER

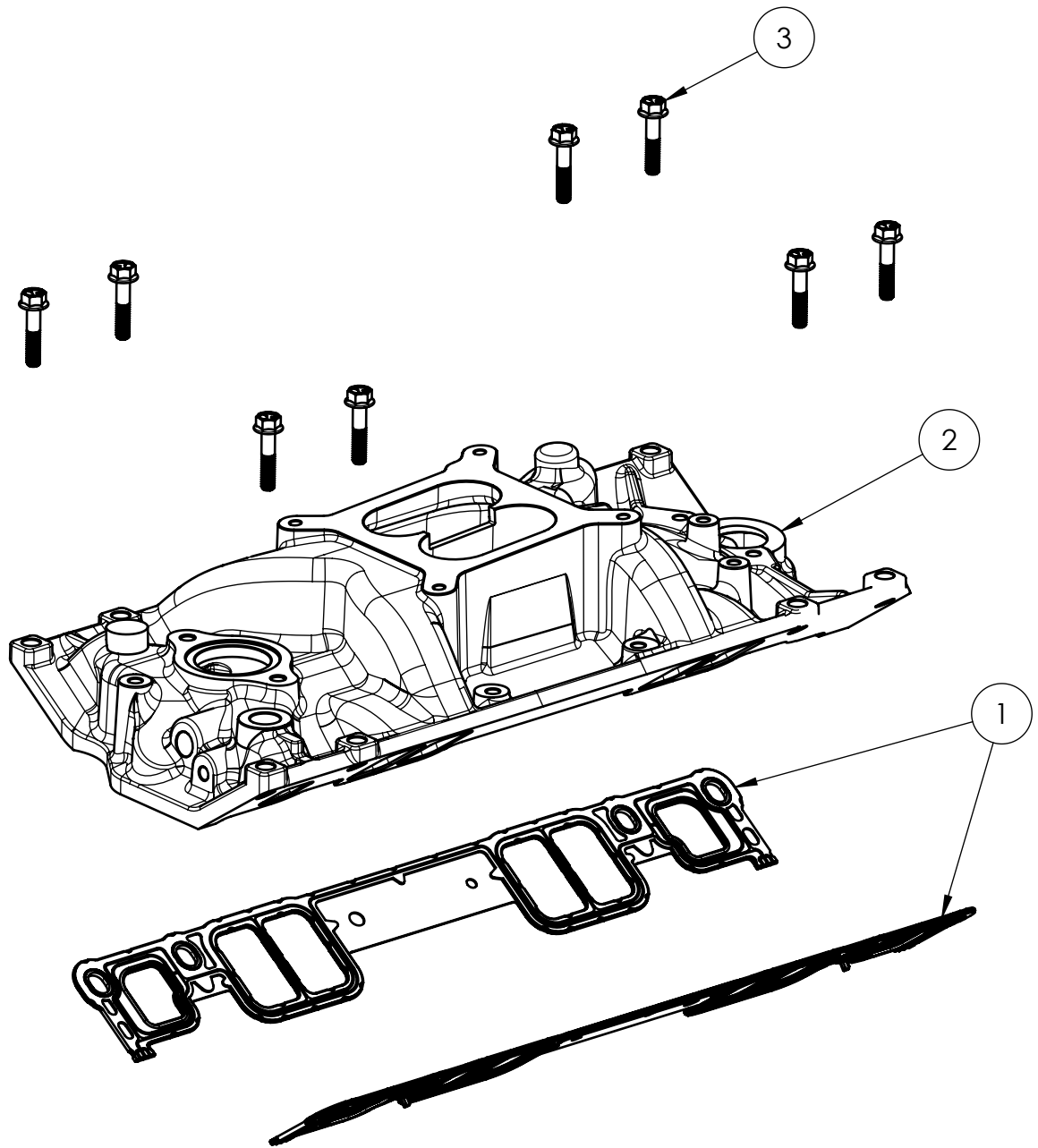


NOTE: QUANTITIES SHOWN BELOW PER CYLINDER HEAD. DOUBLE FOR WHOLE ENGINE.

* - FOR SERVICE LOCATE ENGINE SERIAL NUMBER AND CONTACT DISTRIBUTOR.

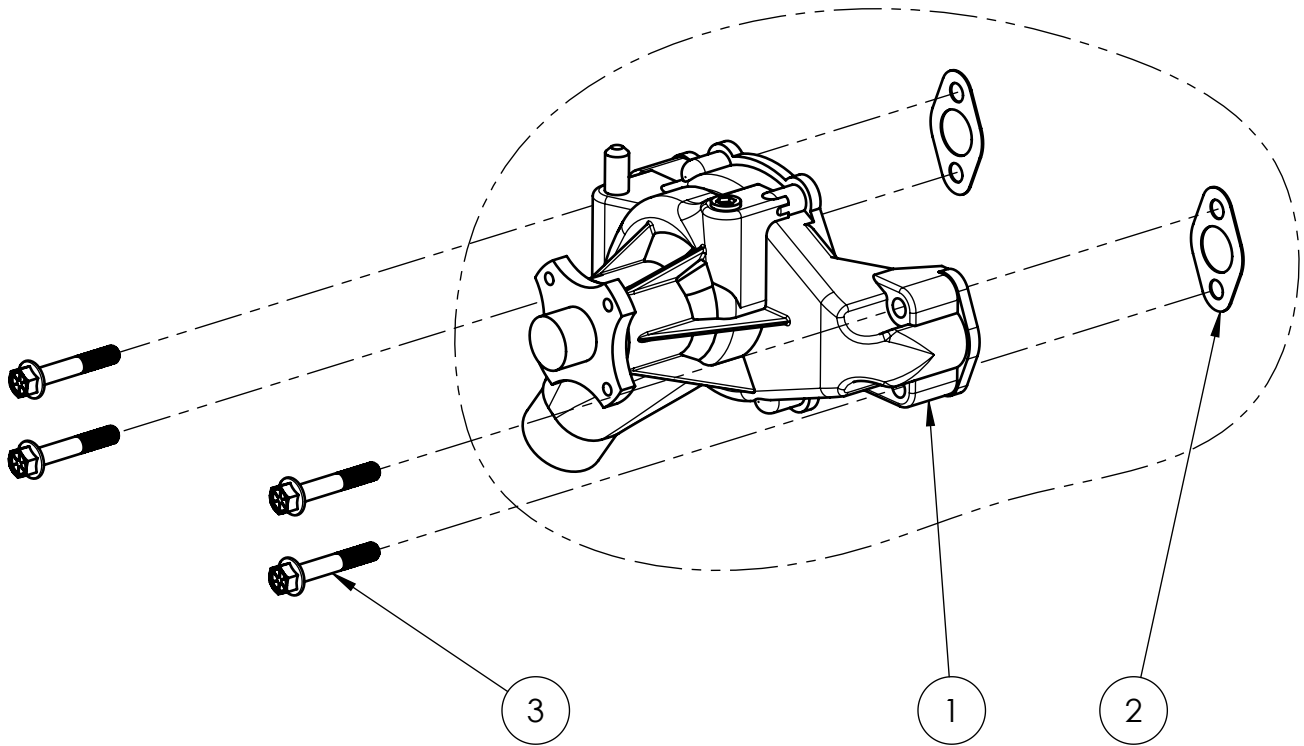
ITEM NO.	PART NUMBER	DESCRIPTION	QTY.
1	18271090	HEAD GASKET	1
2	18211460	BOLT; HFH, 7/16-14 X 3.68, CYLINDER HEAD	7
3	18211385	BOLT; HFH, 7/16-14 X 2.92, CYLINDER HEAD	2
4	18211465	BOLT; HFH, 7/16-14 X 1.62, CYLINDER HEAD	8
5	18211375	ROCKER NUT	8
6	18231090	PUSH ROD	8
7	18231065	ROCKER ARM	8
8	18231075	ROCKER BALL	8
9	OEHO17	CYLINDER HEAD ASSEMBLY (COMPLETE)	1
11	18131570	SEAL; VALVE STEM	8
12	18131185	VALVE; INTAKE	4
13	18131450	VALVE; EXHAUST	4
14	18131565	VALVE SPRING	8
15	18131255	RETAINER; VALVE SPRING	8
16	18131575	RETAINER; VALVE	16
17	18211029	PIPE PLUG; 3/8, BRASS	1
18	18211475	STUD; ROCKER ARM	8
19	10211010	WASHER; 7/16, BLACK OXIDE, HARDENED	8

HEAD AND VALVES



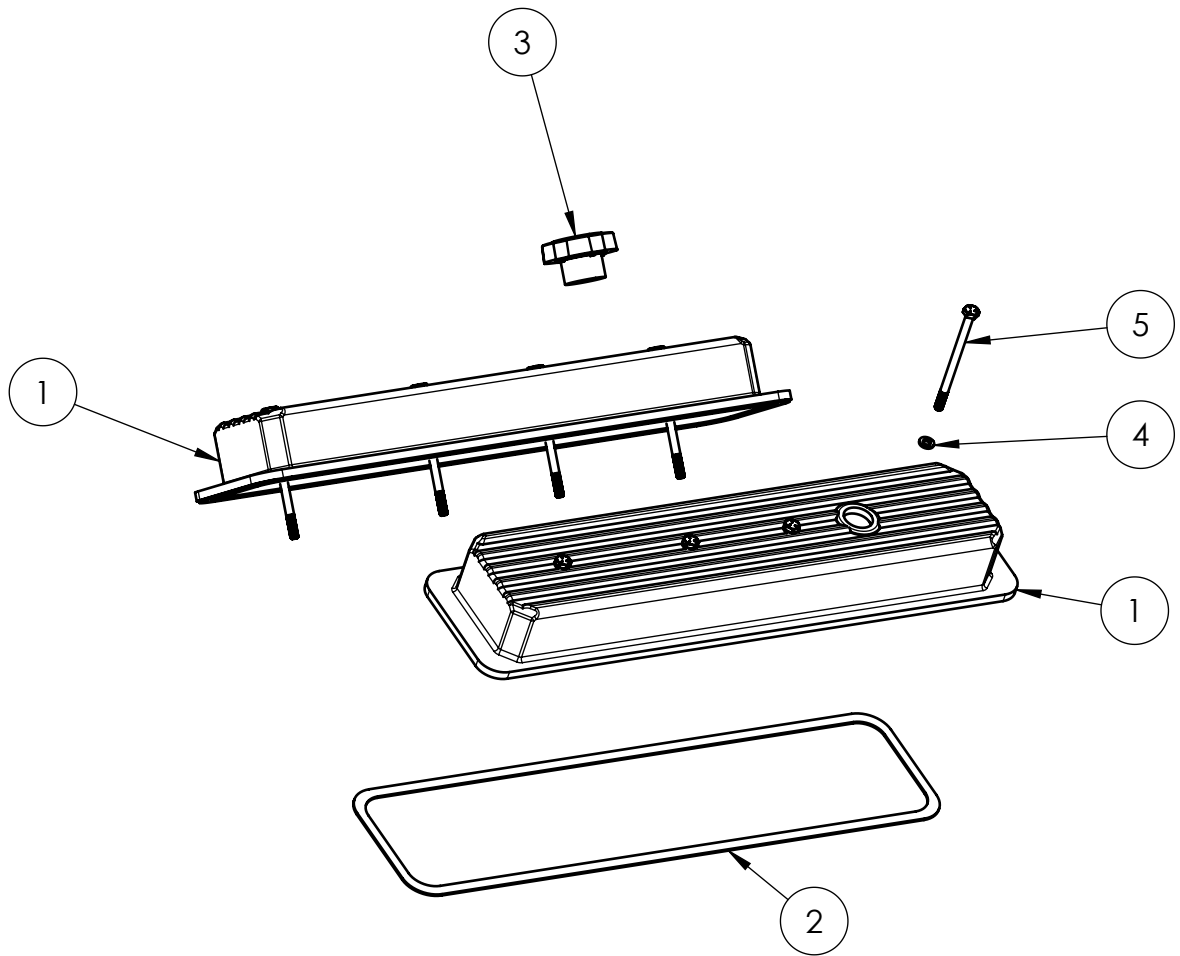
ITEM NO.	PART NUMBER	DESCRIPTION	QTY.
1	18271080	INTAKE GASKET	2
2	18291050	INTAKE MANIFOLD	1
3	18211380	BOLT; HFH 5/16-18 X 1.50	8

INTAKE MANIFOLD



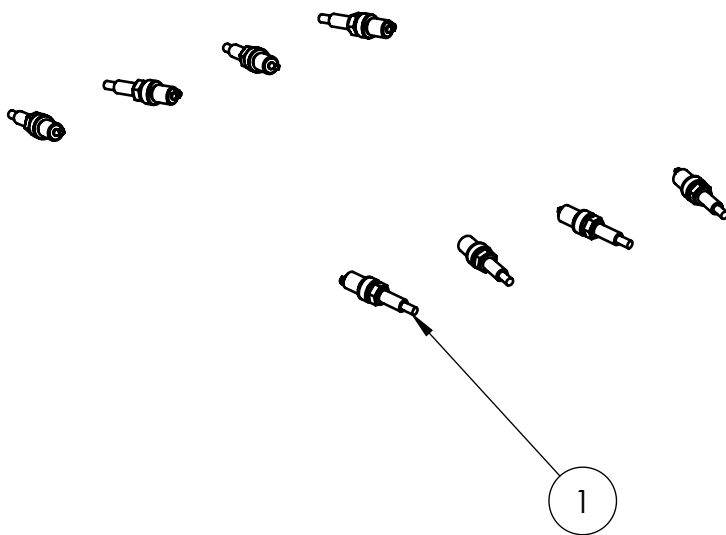
ITEM NO.	PART NUMBER	DESCRIPTION	QTY.
1	18111325	WATER PUMP; W/GASKETS	1
2	18271075	GASKET; WATER PUMP	2
3	18211023	BOLT; HFH, 3/8-16 X 2.25	4

WATER PUMP



ITEM NO.	PART NUMBER	DESCRIPTION	QTY.
1	10291010	VALVE COVER; SET	1
2	18271135	GASKET; VALVE COVER	2
3	18131270	OIL CAP	1
4	18211011	WASHER; FLAT, 6MM	8
5	18211390	BOLT; HH 1/4-20, VALVE COVER, CENTER MOUNT	8

VALVE COVERS



ITEM NO.	PART NUMBER	DESCRIPTION	QTY.
1	18151070	SPARK PLUG	8

IGNITION SYSTEM