



## 5.7L Base Engine Parts Catalog

---

This parts catalog pertains to Reliable Horsepower's 5.7L GIP018057 (OE57LCT) engine. Use it to order correct replacement parts for your engine.

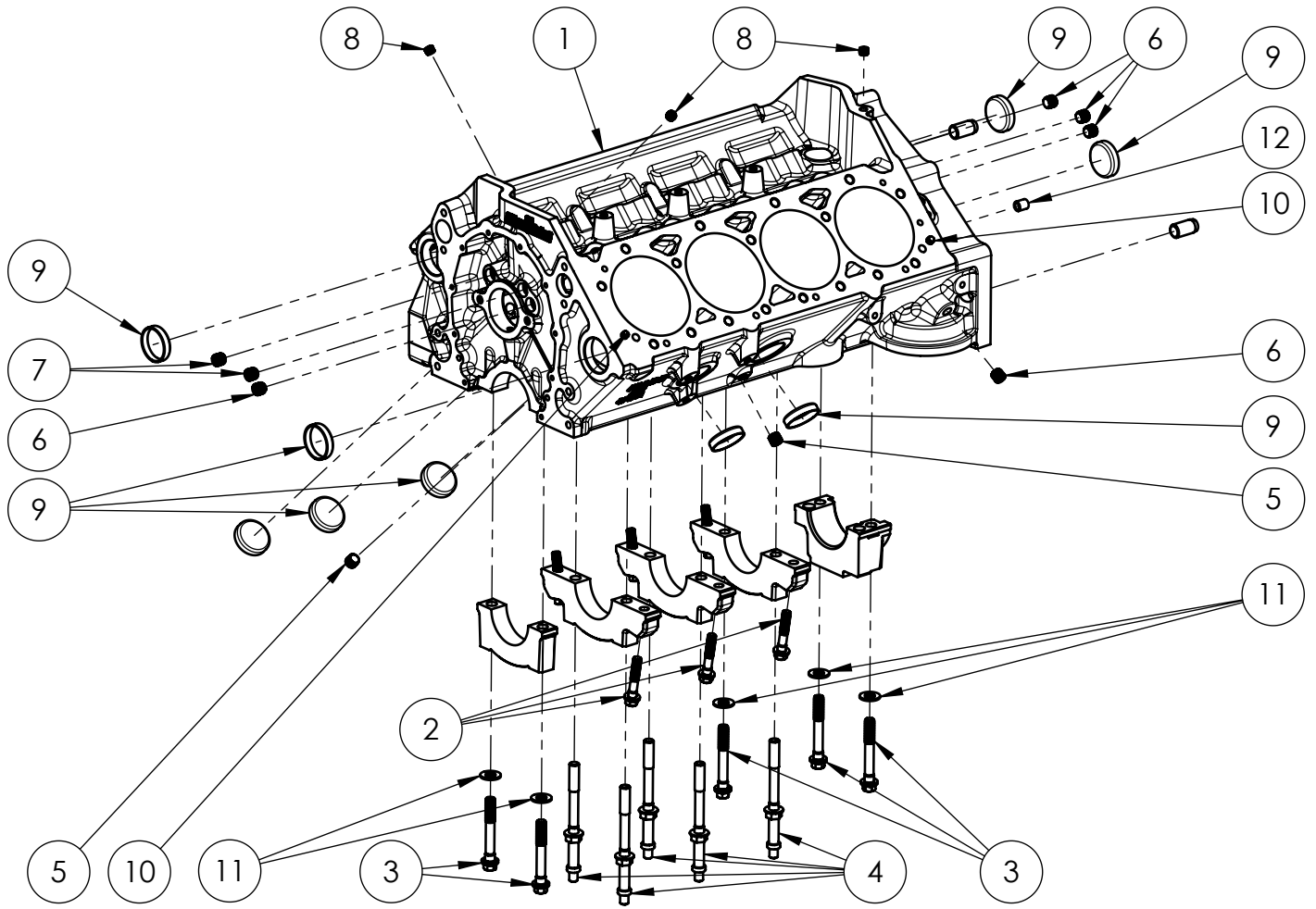
Make sure to give the complete serial number of your engine together with the part number, description, and quantity of the item you wish to order.

The information in this manual is current at the time of publication. Ongoing product improvements may, however, cause some part numbers to change. Always verify part numbers with IIS before ordering parts.

Some part assemblies may be delivered disassembled to assist shipping and installation.

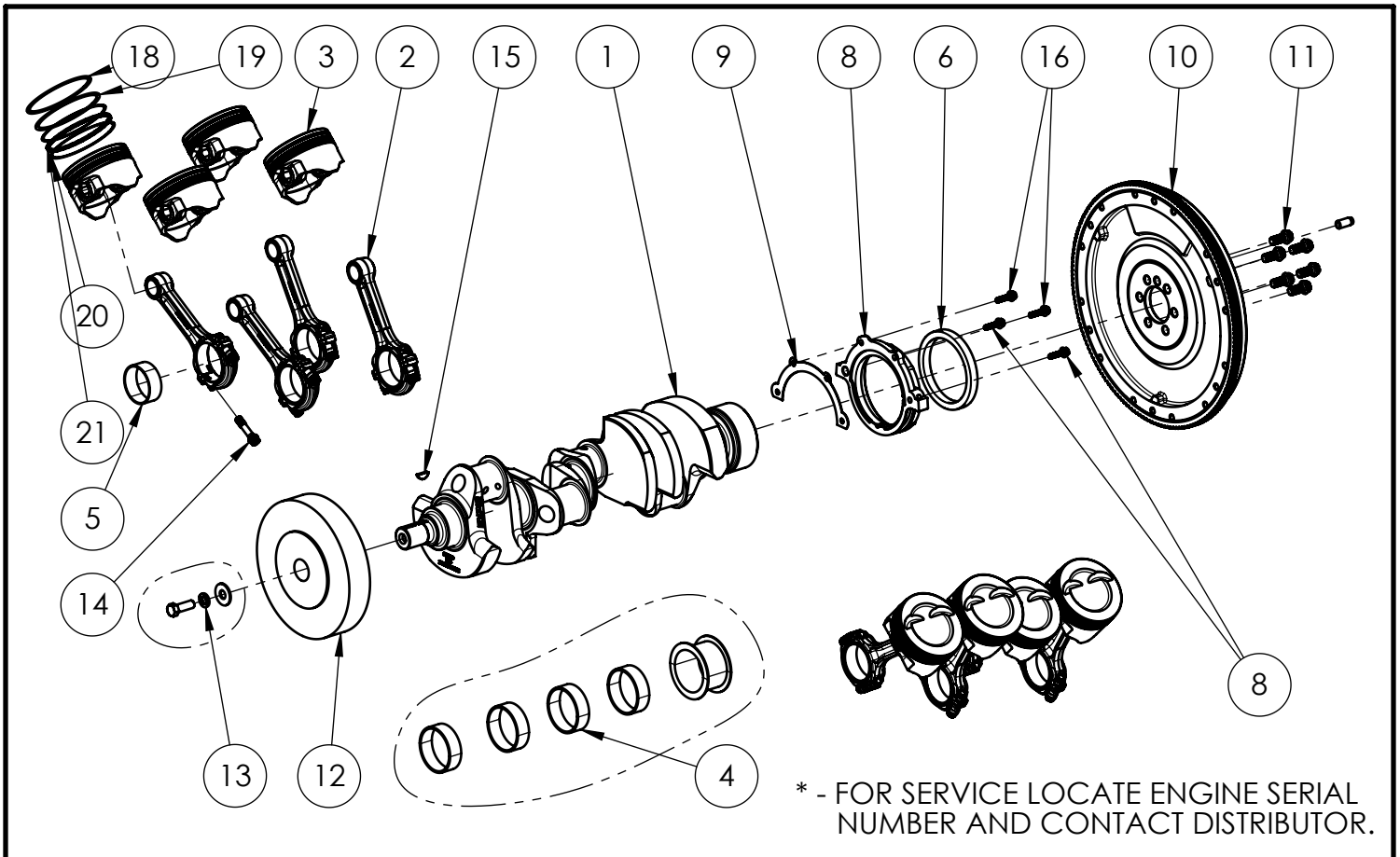
Engine Serial Number \_\_\_\_\_

---



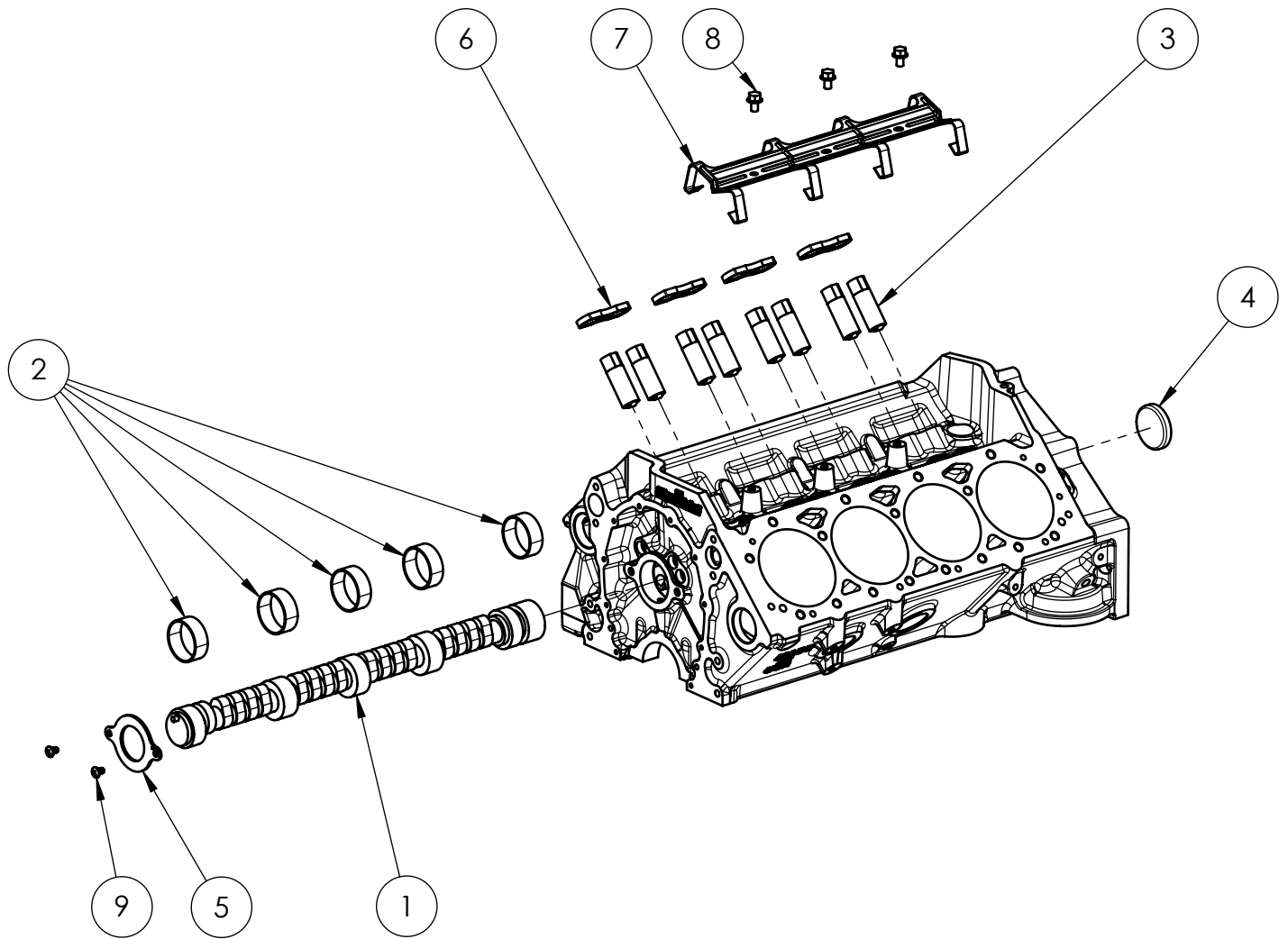
ITEM NO.	PART NUMBER	DESCRIPTION	QTY.
1	18111995	BLOCK; SB, 1-PC	1
2	18111820	BOLT; HFH, 3/8-16 X 2.00, MAIN CAP	6
3	18111810	BOLT; HFH, 7/16-14 X 3.00, MAIN CAP	5
4	18211295	STUD; WINDAGE TRAY	5
5	18211025	PIPE PLUG; 1/4 NPT, BRASS	2
6	18211021	PIPE PLUG; 1/4 NPT, STEEL	5
7	18211330	PIPE PLUG; 1/4 NPT, STEEL, DRILLED TO .026"	2
8	18211027	PIPE PLUG; 1/8 NPT, STEEL	3
9	10110016	EXPANSION PLUG; 1 5/8"	9
10	18211400	DOWEL PIN; CYLINDER HEAD	4
11	10211010	WASHER; 7/16, BLACK OXIDE, HARDENED	5
12	18291090	DOWEL; REAR SEAL HOUSING	1
13	18111093	DOWEL PIN; BELL HOUSING	2

## BLOCK



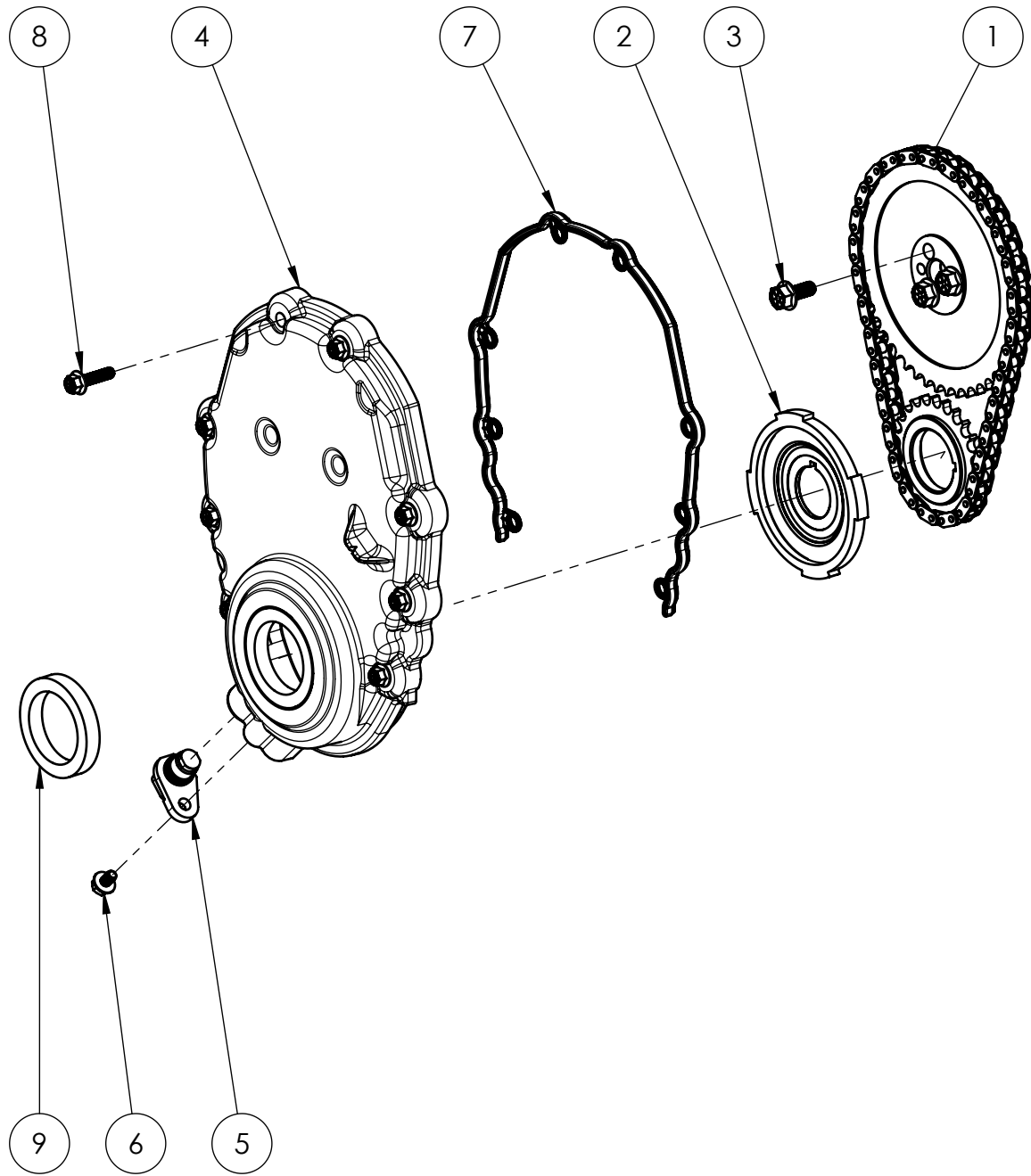
ITEM NO.	PART NUMBER	DESCRIPTION	QTY.
1	18112190	CRANKSHAFT	1
2	18111440	CONNECTING ROD	8
3	18110025	PISTON	8
4	18112180	MAIN BEARINGS	1
5	18112185	ROD BEARING	1
6	18270001	SEAL; REAR	1
8	12111015	REAR SEAL HOUSING	1
8	18211020	BOLT; HFH 1/4-20 X 1.25, GR 8	2
9	18271095	GASKET; REAR SEAL HOUSING	1
10	18131163	FLYWHEEL	1
11	18111018	BOLT; HWH 7/16-20 UNF X 1.00, FLYWHEEL	6
12	18111910	HARMONIC BALANCER	1
13	18211370	BOLT KIT; HARMONIC BALANCER	1
14	12211040	BOLT; 3/8-24 UNF, CONNECTING ROD	16
15	18111054	CRANK KEY; .750 X .188	1
16	18211470	BOLT; HFH, 1/4-20 X 1.00	2
17	18112170	DOWEL PIN; CRANKSHAFT	1
18	18110059	RING; TOP DUCTILE MOLY - 4.000 X .0590 X .155	8
19	18110060	RING, 2ND - CAST TAPER - 4.000 X .0590 X .165	8
20	18110062	RING; RAIL - CHROME - 4.000 X .018 X .100	16
21	18110061	RING; FLEX - 4.000 X 3MM - 9LBS	8

## CRANK AND PISTONS



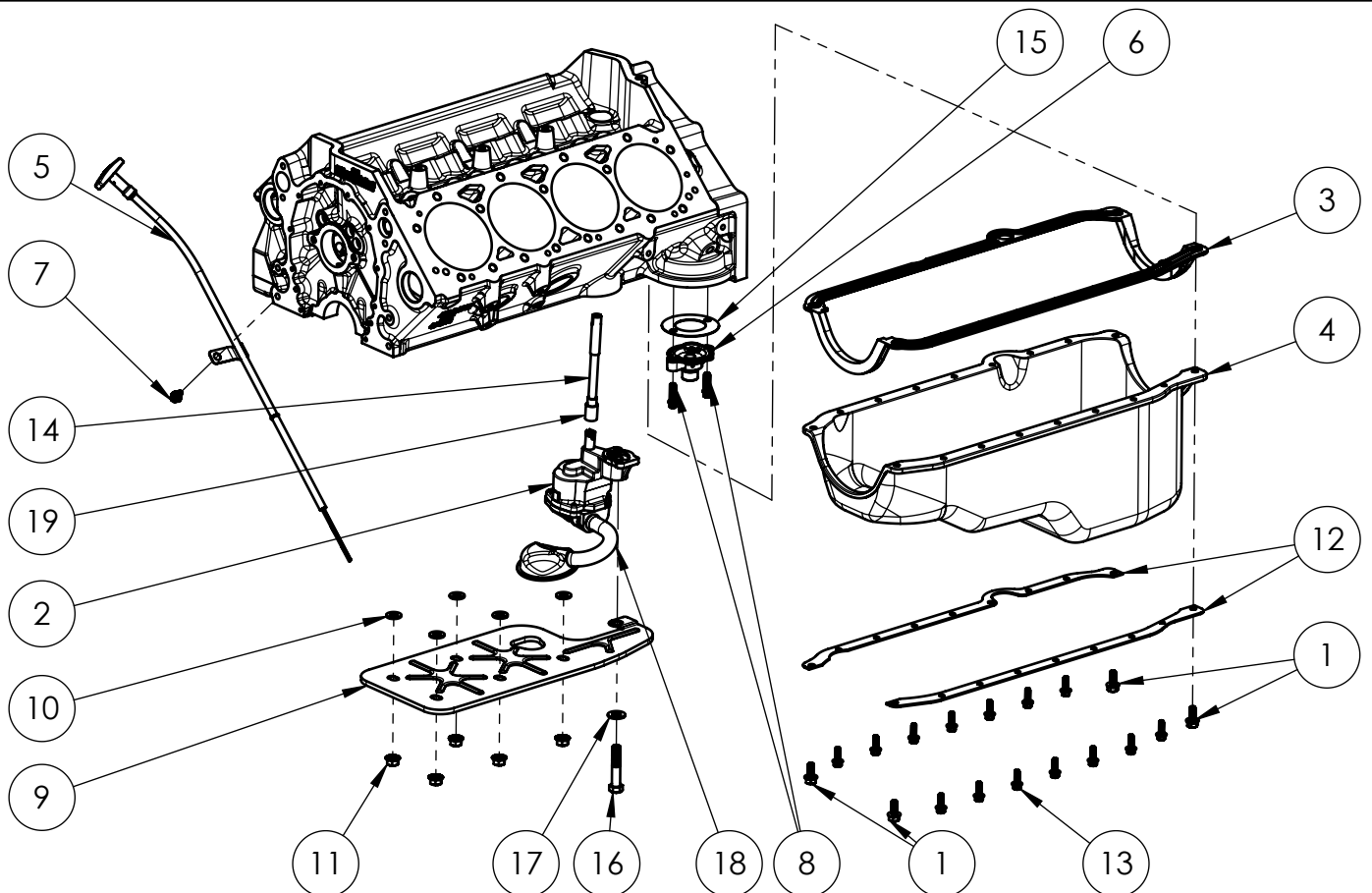
ITEM NO.	PART NUMBER	DESCRIPTION	QTY.
1	18111385	CAMSHAFT	1
2	18111365	CAM BEARING	5
3	18110016	LIFTER	16
4	18111940	PLUG; EXPANSION, 2.11"	1
5	18111111	CAM PLATE RETAINER	1
6	18131151	LIFTER YOKE	8
7	18111121	LIFTER YOKE RETAINER	1
8	18211042	BOLT; HFH 5/16-18 X .50	3
9	18210011	SCREW; CRPH, 1/4-20 X .38	2

## CAMSHAFT AND LIFTERS



ITEM NO.	PART NUMBER	DESCRIPTION	QTY.
1	12231101	TIMING SET	1
2	18111127	RELUCTOR WHEEL; 4X	1
3	18211415	BOLT; HFH 5/16-18 X .75	3
4	18111575	TIMING COVER	1
5	18151130	CRANK SENSOR	1
6	18211420	BOLT; HFH, M6-1.0 X 10MM	1
7	18271050	GASKET; TIMING COVER, SBC	1
8	18211020	BOLT; HFH 1/4-20 X 1.25, GR 8	8
9	12271140	FRONT SEAL	1

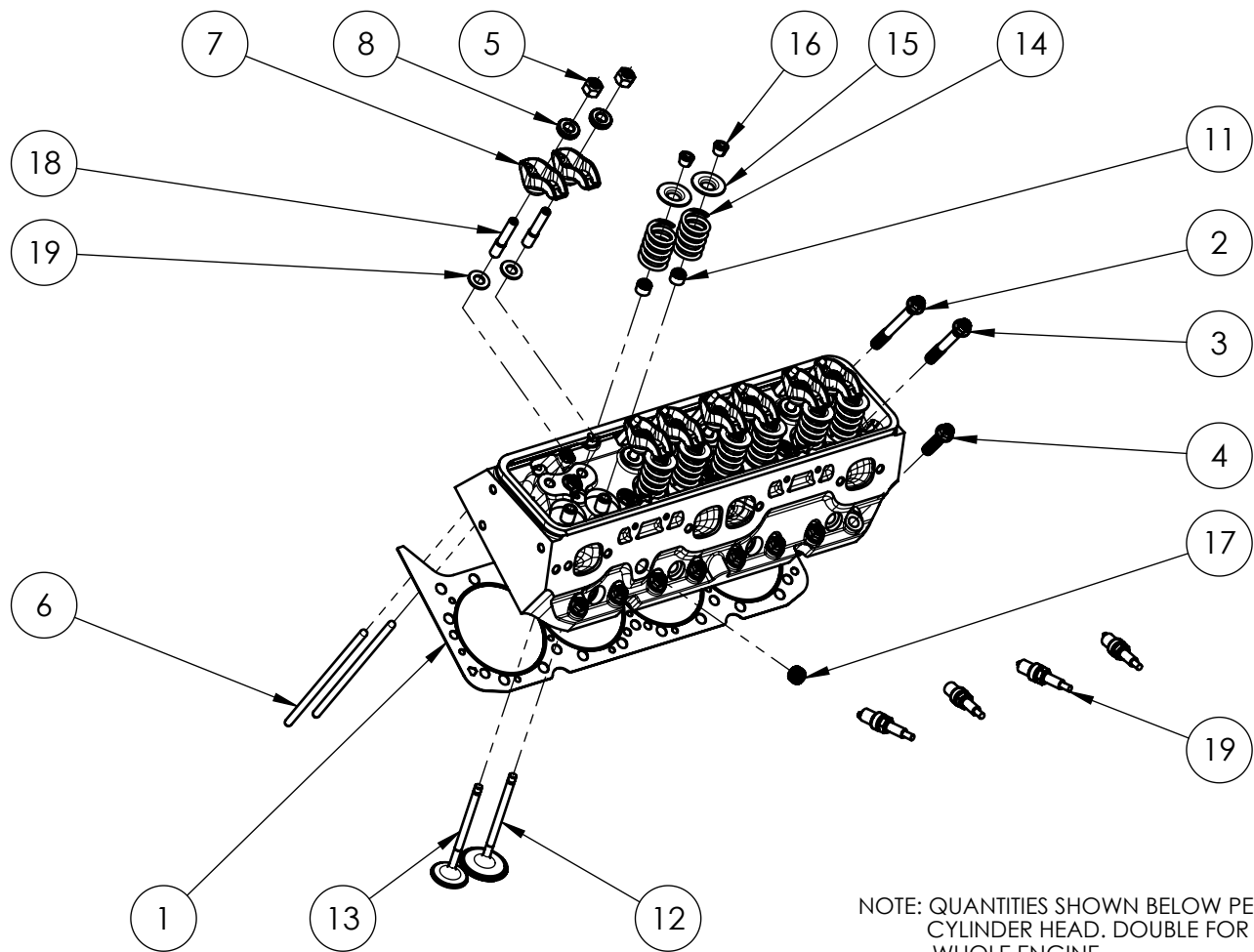
## TIMING GEAR AND COVER



\* - FOR SERVICE LOCATE ENGINE SERIAL NUMBER AND CONTACT DISTRIBUTOR.

ITEM NO.	PART NUMBER	DESCRIPTION	QTY.
1	18211046	BOLT; HFH 5/16-18 X .75	4
2	18111825	OIL PUMP ASSEMBLY; WITH BYPASS	1
3	18271060	GASKET; OIL PAN, ONE PIECE	1
4	18111463	OIL PAN; W/DRAIN PLUG	1
5	18111380	DIPSTICK & TUBE ASSEMBLY	1
6	18111945	ADAPTER; OIL FILTER	1
7	18211015	BOLT; HFH, 1/4-20 X .50, WHZ	1
8	18211405	BOLT; 12 PNT, 5/16-18 X 1.00	2
9	18111450	WINDAGE TRAY	1
10	18211425	WASHER; FLAT, 10MM	5
11	18131375	NUT; HEX, FLANGE, 3/8-16, SERATED	5
12	18291095	RAILS; REINFORCMENT, OIL PAN (1 SET) BLK	1
13	18211016	BOLT; HFH, 1/4-20 X .75, ZP	14
14	10111025	SHAFT; INTERMEDIATE DRIVE, OIL PUMP	1
15	18111565	GASKET; OIL FILTER ADAPTOR	1
16	18211410	BOLT; 7/16-14 X 2.25, GR8	1
17	10211010	WASHER; 7/16, BLACK OXIDE, HARDENED	1
18	18111119	PICK UP TUBE	1
19	18110072	RETAINER; PLASTIC BLOCK	1

## LUBRICATION SYSTEM

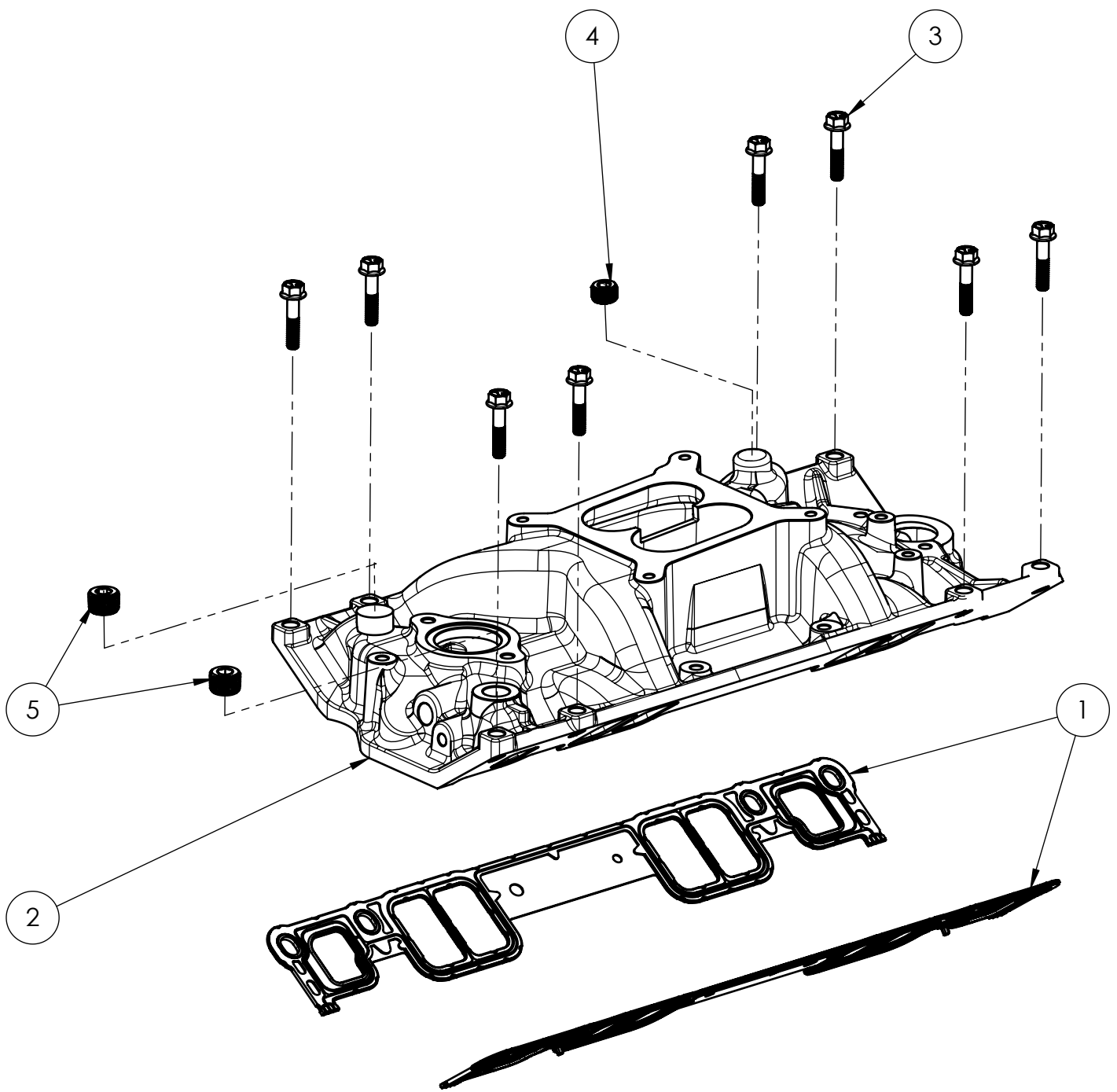


NOTE: QUANTITIES SHOWN BELOW PER CYLINDER HEAD. DOUBLE FOR WHOLE ENGINE.

\* - FOR SERVICE LOCATE ENGINE SERIAL NUMBER AND CONTACT DISTRIBUTOR.

ITEM NO.	PART NUMBER	DESCRIPTION	QTY.
1	18271090	HEAD GASKET	1
2	18211460	BOLT; HFH, 7/16-14 X 3.68, CYLINDER HEAD	7
3	18211385	BOLT; HFH, 7/16-14 X 2.92, CYLINDER HEAD	2
4	18211465	BOLT; HFH, 7/16-14 X 1.62, CYLINDER HEAD	8
5	18211375	ROCKER NUT	8
6	18110017	PUSH ROD	8
7	18231065	ROCKER ARM	8
8	18231075	ROCKER BALL	8
9	OEHO20	CYLINDER HEAD ASSEMBLY (COMPLETE)	1
11	18131645	SEAL; VALVE STEM	8
12	18131185	VALVE; INTAKE	4
13	18131450	VALVE; EXHAUST	4
14	10230039	VALVE SPRING	8
15	18131255	RETAINER; VALVE SPRING	8
16	18131575	VALVE LOCK	16
17	18211029	PIPE PLUG; 3/8, BRASS	1
18	18131390	STUD; ROCKER ARM	8
19	10211010	WASHER; 7/16, BLACK OXIDE, HARDENED	8
19	18151070	SPARK PLUG	4

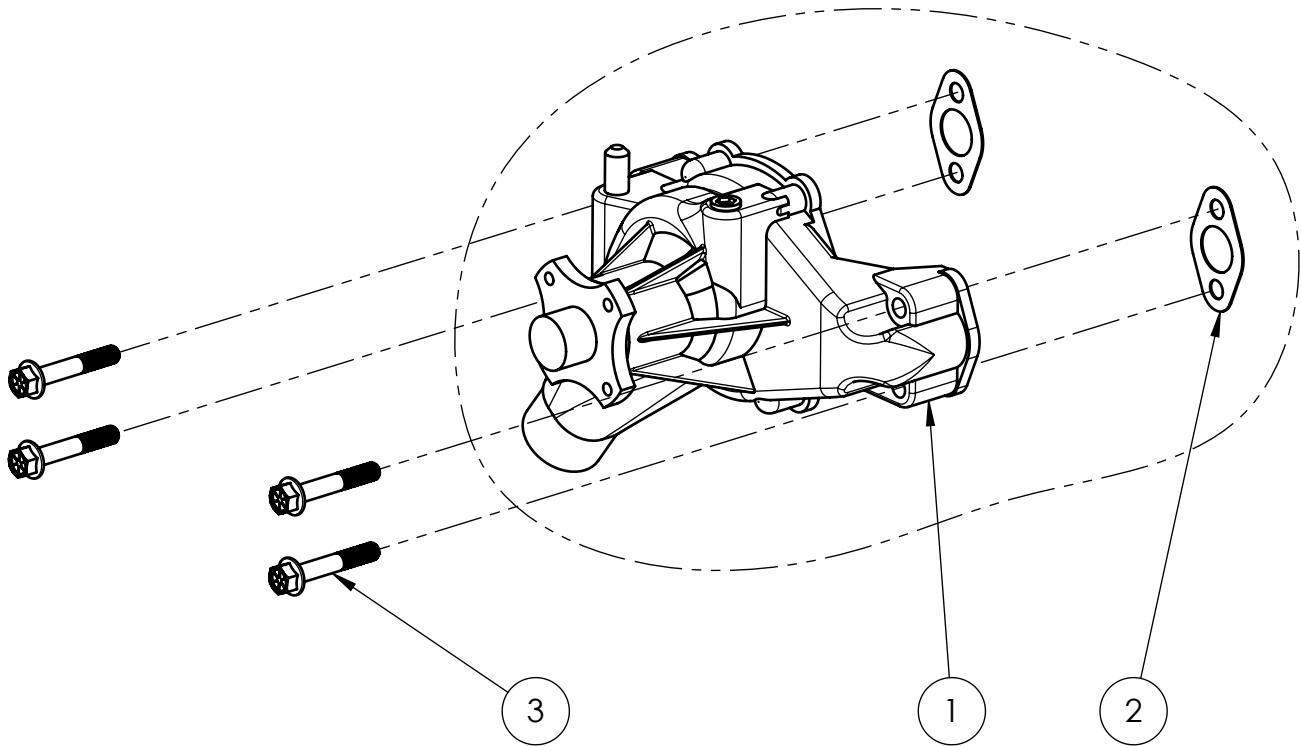
## HEAD AND VALVES



ITEM NO.	PART NUMBER	DESCRIPTION	QTY.
1	18271080	INTAKE GASKET	2
2	18291050	INTAKE MANIFOLD	1
3	18211380	BOLT; HFH 5/16-18 X 1.50	8
4	18211355	PIPE PLUG; 3/8, BRASS	1
5	10250027	PIPE PLUG; 1/2 NPT, BRASS	2

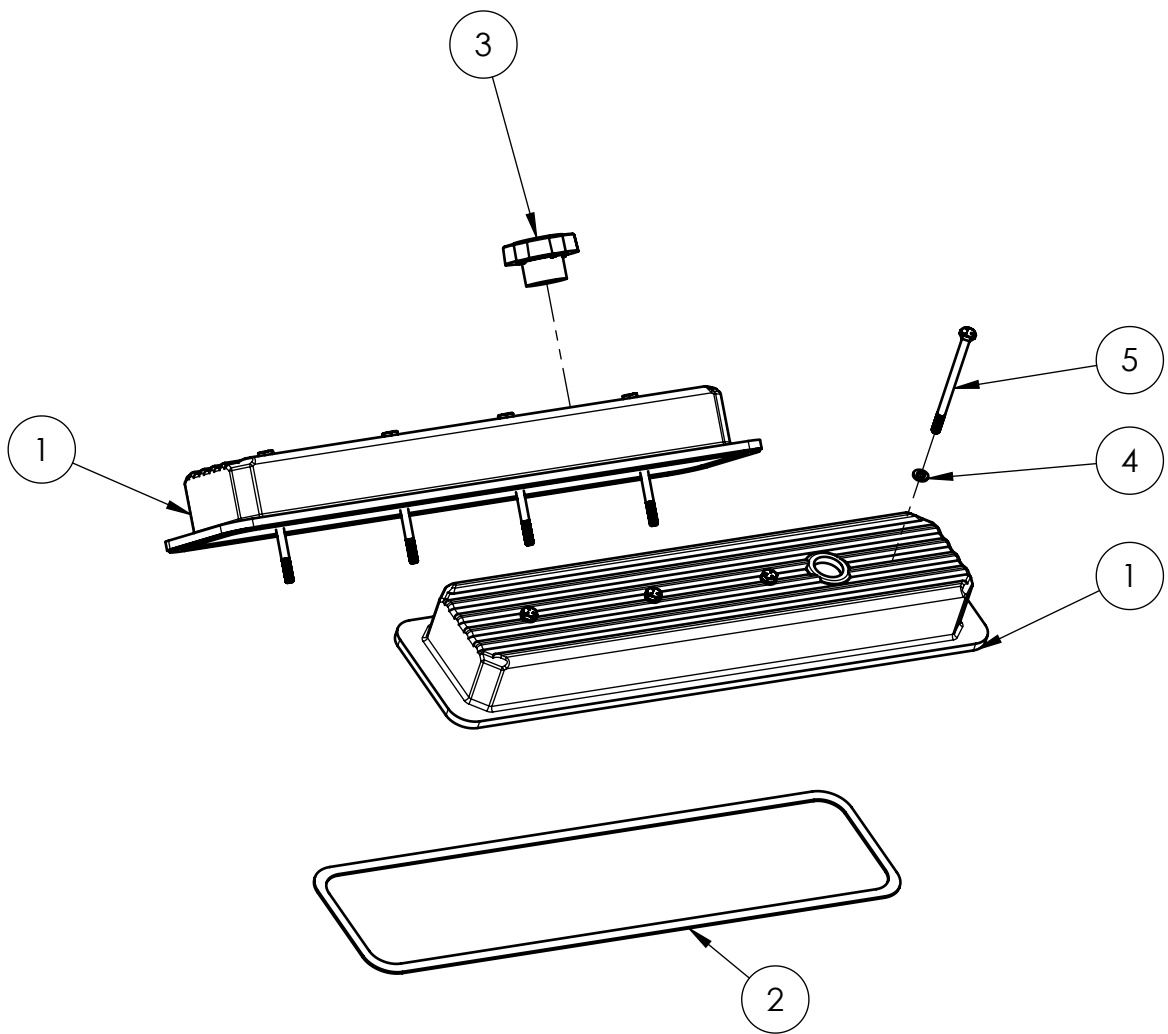
## INTAKE MANIFOLD





ITEM NO.	PART NUMBER	DESCRIPTION	QTY.
1	18112175	WATER PUMP; W/GASKETS	1
2	18271070	GASKET; WATER PUMP	2
3	18211023	BOLT; HFH, 3/8-16 X 2.25	4

## WATER PUMP



ITEM NO.	PART NUMBER	DESCRIPTION	QTY.
1	10291010	VALVE COVER; SET	1
2	18271100	GASKET; VALVE COVER	2
3	18131270	OIL CAP	1
4	18211011	WASHER; FLAT, 6MM	8
5	18211390	BOLT; HH 1/4-20, VALVE COVER, CENTER MOUNT	8

## VALVE COVERS